

LD242



Yacht Spreader LED Light

Data sheet - Page 1



Design: Hall Spars Product: LD242

This has been specifically designed for use on yacht spreaders to illuminate the deck or other spreaders below. It is fitted with the latest LED technology and machined from a solid billet of high grade aluminium. This is hard anodised making it resistant to harsh sea environments. The narrow 12 degree beam will light a deck from 9m.

Key Features

- Integral anti-wicking barrier increases protection against moisture ingress due to incorrect IP rated cable connections
- 2 countersunk screws fix the body to the mounting surface
- Hard anodised body for high resistance to sea environments
- Range of beam angles
- 12° beam will light a deck from 9m
- Available with 0-10V, DMX or Dali drivers
- Please specify with long cables to enable connections to be done in a dry location

Specification

Applications			
Beam Angles	12°, 34°, 55°, 12° x 36°		
LED type	1 x C1 Engine with NICHIA LED		
Colour temperature	2200K / 2700K / 3000K / 4000K / 5000K		
Drive Current (mA)	350	500	700
LED power* (W)	1.2W	1.7W	2.4W
CRI (typical)	93	93	93
Forward voltage (V) ₁₀₀	3.0V	3.2V	3.4V
Delivered lumens** (L ₁₀₀)	106	138	177
Lumens per circuit watt	88	81	74

LED lifetime	L90B5 at 90,000hrs
Materials	Hard anodised aluminium
Glass	5mm thick borosilicate
Wiring	Comes pre-wired with 2 core 100mm lead, can be specified with up to 10m at extra cost
IP rating	IP68 - Not for permanent submersion (for permanent submersion applications use LD242A)

*LED wattage includes losses associated with using an 85% efficient driver

**Lumen output data applies to all colour temperatures.



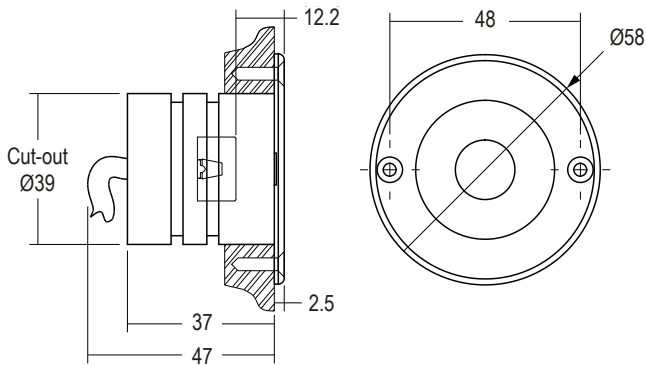
LD242



Yacht Spreader LED Light

Data sheet - Page 2

Dimensions



Photometrics

Photometric files are included in the design pack which can be downloaded from the LD242A product page on the website.

Order Codes and Options

Product code	LED colour	Lens angle	Finish
LD242-C1 - 350 - 500 - 700	<input type="text"/>	<input type="text"/>	<input type="text"/>

Example: LD242-C1-700 / LW30 / MB / Hard anodised

Product codes with output options

1.2W LED at 350mA	LD242-C1-350
1.7W LED at 500mA	LD242-C1-500
2.4W LED at 700mA	LD242-C1-700

LED colour options

Super Warm White (2200K)	/LW22
Extra Warm White (2700K)	/LW27
Warm White (3000K)	/LW30
White (4000K) - on request	/LW40
Cool White (5000K)	/LW50
Red	/LR
Blue	/LB
Green	/LG
Amber	/LA

*Other LED colour temperatures are available. Please speak to a member of our sales team.

Beam / lens angle options

12° narrow spot	/NB
34° medium	/MB
55° wide	/WB
12° x 36° oval beam	/OB

Bezel finish

Hard anodised aluminium (Gun metal grey)
 Paint finish black / white (RAL 9016) / RAL

Use with 350mA, 500mA and 700mA constant current LED drivers

We have a wide range of dimmable LED drivers, 0-10V, DMX, DALI and Mains dimmable. Please see the downloads section on our website:

To run 1-14 LD242-C1-350 in series use a TXDEL350D (0-10V dimmable)

To run 1-14 LD242-C1-500 in series use a TXDEL500D (0-10V dimmable)

To run 1-13 LD242-C1-700 in series use a TXDEL700D (0-10V dimmable)