

LD40



Miniature Shallow LED Wall and Down Light

Data sheet

LD40 is an incredibly shallow downlight for applications where a very small recess depth is required. Originally designed as a special for under cabinet lighting, it has now been added to our standard range as it has proved so popular.

Key Features

- Very shallow, only 22mm recess depth required including cable
- Ideal for shelf lighting or under cabinets
- 93 CRI LED in warm white
- Range of beam angles
- Maximum output is 500mA 1.7W due to its small size
- Minimal bezel thickness
- Available with Switch, 0-10V, DMX, Dali or Mains dimmable drivers

Specification

Applications		
Beam Angles	12°, 31°, 48°, 12° x 36°	
LED type	1 x C1 Engine with NICHIA LED	
Colour temperature	2200K / 2700K / 3000K / 4000K / 5000K	
Drive Current (mA)	350	500
LED power* (W)	1.2W	1.7W
CRI (typical)	93	93
Forward voltage (V) ₁₀₀	3.0V	3.2V
Delivered lumens** (L ₁₀₀)	103	134
Lumens per circuit watt	86	79
LED lifetime	L90B5 at 90,000hrs Machine finish 316 stainless steel bezel	

Environmental	
TM65:	Available on request
TM66:	2.3

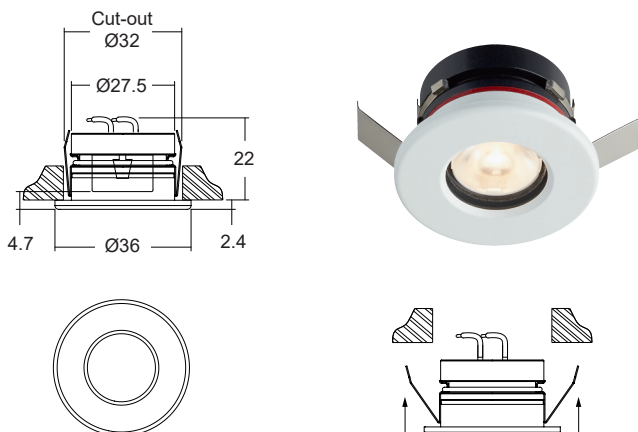
Materials	
Glass	5mm thick borosilicate
Wiring	Comes Pre-wired with 2 x 150mm single core lead, can be specified with up to 3m of single core cable at extra cost

IP rating	IP67
-----------	------

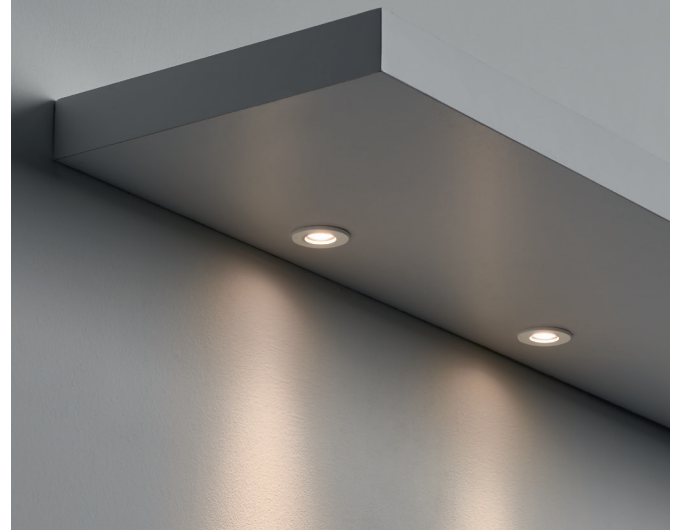
*LED wattage includes losses associated with using an 85% efficient driver

** Lumen output data applies to all colour temperatures.

Dimensions and Fixing Options



(Dimensions in mm)



Order Codes and Options

Product code	LED colour	Lens angle	Finish	Fixing
LD40-C1-350 - 500				

Example: LD40-C1-350/ LW30 / MB / White / SC

Product codes with output options

1.2W LED at 350mA	LD40-C1-350
1.7W LED at 500mA	LD40-C1-500

LED colour options

LED colour options	Suffix
Super Warm White (2200K)	/LW22
Extra warm white (2700K)	/LW27
Warm white (3000K)	/LW30
White (4000K) - on request	/LW40
Cool white (5000K)	/LW50
Blue	/LB
Green	/LG
Red	/LR
Amber	/LA

*Other LED colour temperatures are available. Please speak to a member of our sales team.

Beam / lens angle options

12° narrow spot	/NB
31° medium	/MB
48° wide	/WB
12° x 36° oval	/OB

Bezel finish options

Stainless steel 316
Polished and passivated stainless steel (for marine environments)
Paint finish silver / black / white (RAL 9016) / antique bronze / satin antique brass / satin brass / RAL finish

Fixing options

Spring clips	/SC
--------------	-----

Use with 350mA constant current LED drivers

We have a wide range of dimmable LED drivers, 0-10V, DMX, DALI and Mains dimmable. Please see the downloads section on our website:

To run 1-14 LD40-C1-350 in series use a TXDEL350D (0-10V dimmable)

To run 1-14 LD40-C1-500 in series use a TXDEL500D (0-10V dimmable)