


LD43DR

DEEP RECESSED MINIATURE INTERIOR/EXTERIOR LED UPLIGHT



The LD43DR is a miniature, ultra-deep recessed, LED in-ground uplight which can also be used as a downlight. The LED and optics are deep recessed 33mm into the body for super low glare, which can be further reduced with an optional glare shield. Due to the miniature aperture of the LD43DR, it is available in a narrow 12° beam only, offering defined edges, ideal for lighting doorways or narrow corridors. Featuring a high-quality machined bezel, a wide range of metal and paint finishes are available.

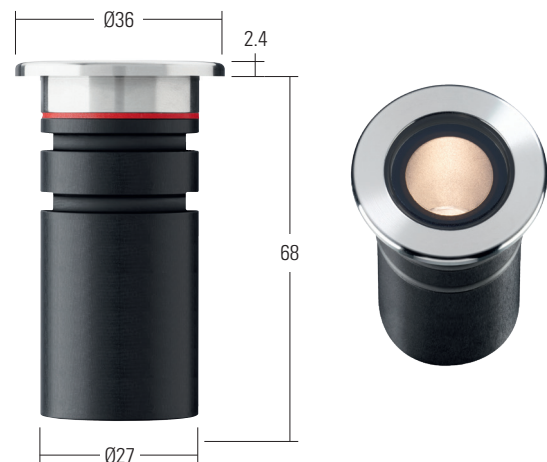
KEY FEATURES

- > High-power C1 engine with NICHIA LED delivering up to 106lm
- > Miniature fitting with LED and optics deep recessed 33mm for reduced glare
- > Available with a narrow 12° beam only due to the size of the aperture
- > Can be used as an uplight or downlight
- > Wide range of high-quality machined metal and painted bezel finishes available, including: 316 Stainless Steel, Polished & Passivated 316 Stainless Steel, Brass, Flamed Solid Bronze, White (RAL 9016), Black (RAL 9005), Classic Bronze (YM262E), Gunmetal Grey (RAL 7021) and other RAL colours available
- > Optional glare shield accessory for further reduced glare
- > Hidden fixing options include spring clips or /480 first fix sleeve with O-rings
- >  Contains our integral moisture guard (anti-wicking barrier), stopping water ingress from going up the cable into the product from incorrect IP-rated connections
- > Switched, 0-10V, Casambi, DMX, DALI or Mains dimmable drivers available



DIMENSIONS

Dimensions in mm

For fixing dimensions please go to page 4.



WHITE LED ENGINE SPECIFICATION

Engine	 C1		
Beam angles	12°		
LED manufacturer	NICHIA		
Colour temperature	2200K / 2700K / 3000K / 4000K / 5000K		
Current [Rated Output]	350mA [1.2W]	500mA [1.7W]	700mA [2.4W]
Typical LED Circuit wattage	1.1W	1.6W	2.3W
Delivered lumens (L ₁₀₀)	63	82	106
Delivered lm/Circuit W**	58	51	46
Typical LED Source wattage	1W	1.5W	2.1W
Source LED lm	133	187	206
Source lm/W	136	129	98
Forward voltage (V ₁₀₀)	2.8V	2.9V	3V
CRI	93		
Colour consistency	2 SCDM		
Peak intensity	984 cd		
LOR	0.51		
TM30	RF93 RG100		
UGR rating ('downlight' mounted)***	2.4	3.6	4.5
BUG rating ('uplight' mounted)	B0-U3-G0		
LED lifetime	L90B5 at 90,000hrs		
Applications			

This data is based on LD43DR-C1-700-LW30-NB

*Lumen output data applies to all colour temperatures

**LED wattage includes losses associated with using a 90% efficient driver

***UGR values based on room parameters of 4H 8H, C70 W50 F20

MECHANICAL

Ambient temperature	-20° to 50° (350mA-500mA) or -20° to 35° (700mA)
Glass	3.3mm thick borosilicate glass with black ceramic screen print
Materials	Anodised aluminium body, 316 stainless steel bezel
Weight of product	0.015kg
IP rating	IP66
Wiring	In-series constant current wiring (pre-wired with 2 core cable at a length of 250mm)

ENVIRONMENTAL

TM65	Available on request
TM66	2.7
Repair + Refurbish	 This product is included in our Repair and Refurbish scheme. This offers customers the ability to send back products to us for repair or refurbishment to extend their life without having to buy new fittings.
RLE (REPLACEABLE LIGHT ENGINE)	 Visit page 5 for replacement parts

AVAILABLE FINISHES

Please refer to our finishes guide for full details



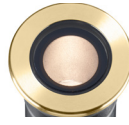
316 STAINLESS STEEL

- > Marine grade 316 Steel
- > Standard machined finish
- > Extremely durable
- > Passivation recommended for marine environments to prevent corrosion and build up of brown stains caused by oxidation
- > Interior & exterior use



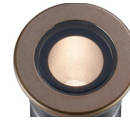
POLISHED & PASSIVATED
316 STAINLESS STEEL

- > Marine Grade 316 Steel
- > Mirror like finish
- > Extremely durable
- > Passivated to extensively prolong resistance to corrosion and brown stains caused by oxidation in marine environments
- > Interior & exterior use



MACHINED BRASS

- > Solid CZ121 Brass
- > Standard machined finish
- > Corrosion resistance rated fair to excellent
- > Please note a natural green/brown patination layer will form after long term exposure to the elements, the extent of this discolouration will be dependant on its location.
- > Interior & exterior use



FLAMED SOLID BRONZE

- > Solid Bronze
- > Hand finished Flamed Bronze unique to LightGraphix
- > Extremely durable with very high corrosion resistance
- > Please note a natural dark patination layer will form after long term exposure to the elements, the extent of this discolouration will be dependant on its location.
- > Interior & exterior use



PAINT FINISH - POWDER COAT

- > White (RAL 9016), Black (RAL 9005), Classic Bronze (YM262E), Gunmetal Grey (RAL 7021) Textured Mars Bronze (SX350F), Textured Fir Green (RAL 6009), and other RAL colours available
- > Smooth matt texture unless stated otherwise
- > Not recommended for footlights in high traffic areas
- > Interior & exterior use

DIMENSIONS AND FIXING ACCESSORIES

Dimensions in mm

/SC Spring clip fixing

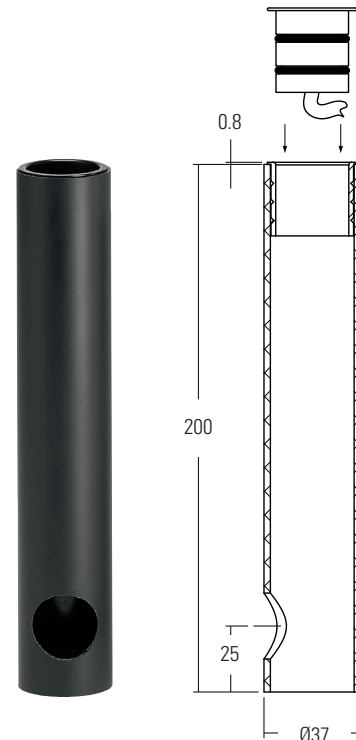
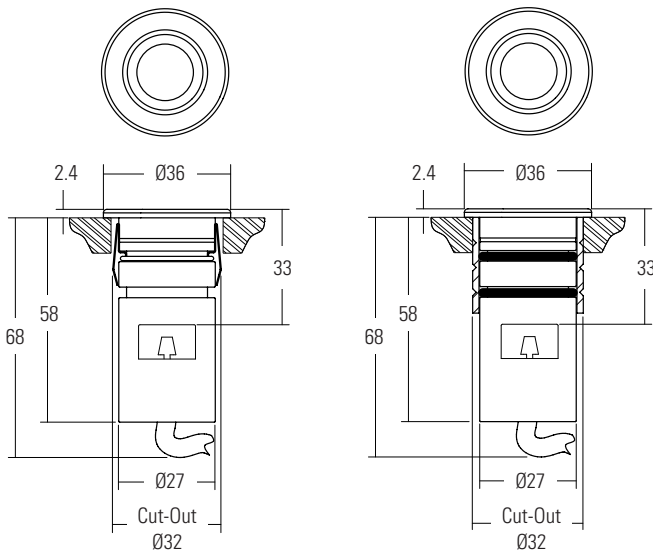
Useful for plinth or downlight applications

/480 O-rings and sleeve

A more robust and water tight method of fixing, for in ground applications

/480GT Ground tube

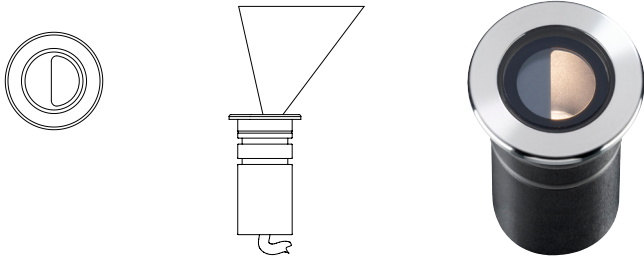
The in-ground tube has been designed for applications where a recessed uplighter is required in soil or gravel terrain. The tube can be buried with the necessary wiring, and then the fitting installed after the landscaping work has been completed. It is supplied with the fixing sleeve bonded into the tube, and can be cut down on site.



GLARE CONTROL OPTIONS

/GS Glare shield

An optional glare shield is available to further reduce glare from the LED and optic. This is useful in narrow details where people are going to walk directly over the fitting. This does not reduce the light on the lit surface (wall) but will cut out some light onto the ceiling.



Design: DPA Lighting Project: The Langley Hotel, Buckinghamshire, UK. Product: LD43DR

RLE - REPLACEABLE LIGHT ENGINES



What is RLE

On the surface, RLE is LightGraphix's answer to the Circular economy question that is facing many industries at the moment. However for us, RLE is an ethos; a commitment that LightGraphix will factor in the principles of good circular design into all of its future product design. It allows us to offer luminaires that contain replaceable, energy-efficient light engines. This gives customers the ability to refurbish existing lighting installations rather than having to replace the entire luminaire. This will fall into two types of refurbishments: replaceable, and repairable.

RLE Engines

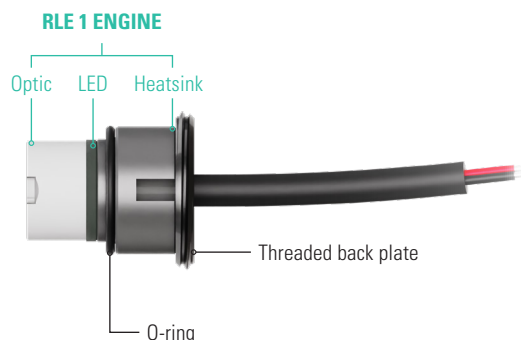
Repairs can be conducted on any site worldwide, or in our factory, with a small tool. Simply swap out the singular modular LED insert, and replace it with another, along with a new optic, which are both supplied by us. The warranty provided with the product varies based on who is performing RLE repairs. There are three types of RLE engine, categorised based on the size of the product. RLE1 is the smallest, with RLE3 being the largest.



Used in the following products:
LD41, LD43DR, LD43DRG, LD44,
LD44G, LD47, LD51, LD56, LD56T,
LD57SQ, LD60, LD61, LD62,
LD64 & LD65

LD43DR RLE REPLACEMENT PARTS

Please use the configurator below to specify your replacement engine and optic. If you are unsure of your original specifications, please check the label on your LightGraphix fitting, or get in touch with our sales team. Installation sheets will be supplied with the new components.



RLE Engine		LED Colour		Beam Angle		Accessories	
RLE1/							
RLE 1 ENGINE	RLE1/	Super Warm White (2200K)	/LW22	Narrow beam 16mm optic	RLE/OP-16/NB	O-ring	RLE/OR2
		Extra Warm White (2700K)	/LW27			Threaded back plate	RLE/TBP
		Warm White (3000K)	/LW30				
		White (4000K) - on request	/LW40				
		Cool White (5000K)	/LW50				

ORDER CODES & OPTIONS

Example: LD43DR-C1-700 / LW30 / NB / 316 Stainless steel / GS / 480



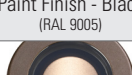
Light Engine & Drive Current	LED Colour	Beam Angle	Finish	Fixing & Accessories
LD43DR -	/	/	/	/

WHITE LED ENGINES

C1	
1.2W LED at 350mA	LD43DR-C1-350
1.7W LED at 500mA	LD43DR-C1-500
2.4W LED at 700mA	LD43DR-C1-700

Super Warm White (2200K)	/LW22
Extra Warm White (2700K)	/LW27
Warm White (3000K)	/LW30
White (4000K) - on request	/LW40
Cool White (5000K)	/LW50
Red	/LR
Green	/LG
Blue	/LB
Amber	/LA

12° Narrow spot	/NB
-----------------	-----

	316 Stainless Steel
	Polished & Passivated 316 Stainless Steel (for marine environments)
	Machined Brass
	Flamed Solid Bronze
	Paint Finish - White (RAL 9016)
	Paint Finish - Black (RAL 9005)
	Paint Finish - Classic Bronze (YM262E)
	Paint Finish - Gunmetal Grey (RAL 7021)
	Paint Finish - Textured Fir Green (RAL 6009)
	Paint Finish - Textured Mars Bronze (SX350F)
	Paint Finish - RAL

	/SC
	/480
	/480GT
	/GS

Drivers
Use with 350mA, 500mA & 700mA constant current LED drivers
We have a range of dimmable LED drivers DMX and DALI compatible. Please see the downloads section on our website.