

LD59



Square Recessed Low Glare Interior/Exterior Wall Light

Data sheet - Page 1

LD59 replaces the LD10234, it offers the same low glare, broad illumination and is rated IP67 for both internal and external projects. The square recessed wall light uses a single LED for a soft edge beam with no multiple shadows. It comes as standard with a polished 1.5mm stainless steel bezel with no visible fixings, creating an attractive fitting for indoor or outdoor use. The specular reflector gives a diffused wash of light onto a path or floor with minimal glare.

Please note:

- For a higher powered version, please see our LD175 which offers close to 4 x the brightness from the same size package.

Key Features

- Very broad diffused beam shape
- IP67 as standard
- Low glare with the LED and diffuser assembly recessed deep within the fitting
- Typical 93 CRI in 3000K warm white
- Polished 316 stainless steel bezel as standard, with an optional brushed or yacht grade mirror finish available
- RAL colour paint finishes available
- No visible fixings. Comes as standard with spring clips
- Optional first fix concrete-in back box
- Available with remote Switch, 0-10V, DMX, Dali or Mains dimmable drivers

Specification

Applications

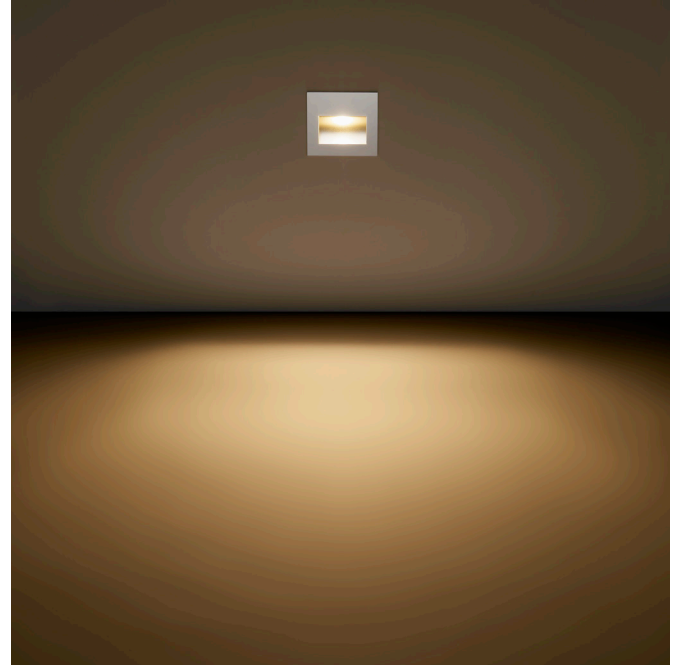


LED type	1 x C1 Engine with NICHIA LED					
Colour temperature	2200K / 2700K / 3000K			5000K		
Drive Current (mA)	350	500	700	350	500	700
LED power* (W)	1.2W	1.7W	2.4W	1.2W	1.7W	2.4W
CRI (typical)	93	93	93	75	75	75
Forward voltage (V) ₁₀₀	3.0V	3.2V	3.4V	3.0V	3.2V	3.4V
Delivered lumens** (L ₁₀₀)	74	101	135	80	109	146
Lumens per circuit watt	62	59	56	67	64	61

LED lifetime	L90B5 at 90,000hrs
Materials	Machined hard anodised aluminium body with a 316 stainless steel bezel (other options available)
Glass	2mm thick borofloat glass
Wiring	Comes pre-wired with 2 core 200mm lead, can be specified with up to 10m at extra cost
IP rating	IP67

*LED wattage includes losses associated with using an 85% efficient driver

** Lumen output data applies to all colour temperatures.



/SC - Spring clips



/CB - Concrete box



LD59



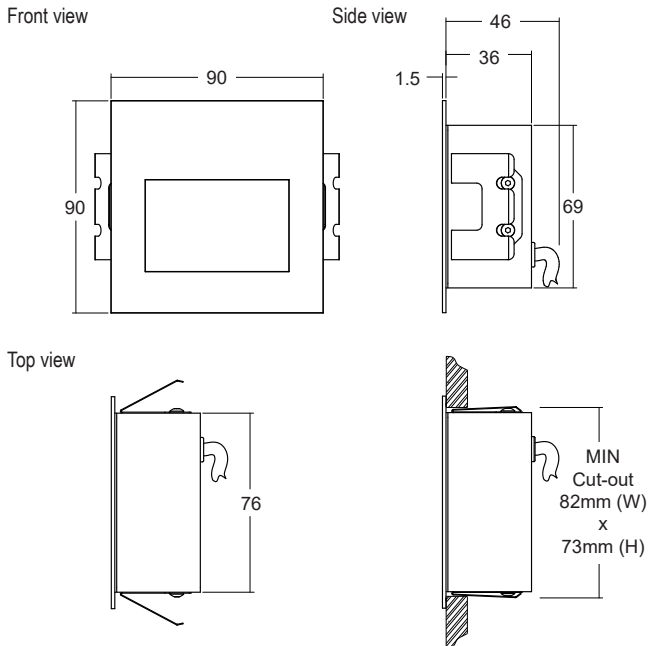
Square Recessed Low Glare Interior/Exterior Wall Light

Data sheet - Page 2

Dimensions and Fixing Options

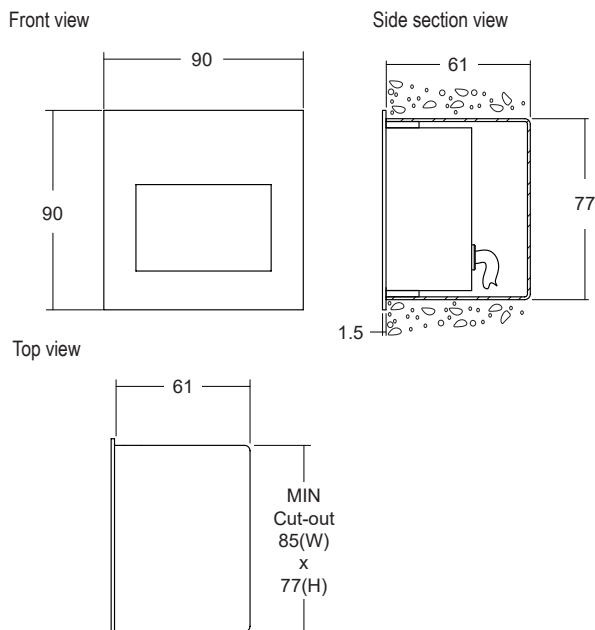
/SC - Spring clips

Spring clips are supplied as standard when the concrete-in box is not specified. This fixing option is suitable for the majority of installations.



/CB - Concrete-in back box

First fix concrete-in box offers the ability to create the correct void in a concrete wall necessary to fit the LD59. There is space behind the product to make connections (internal use only). Please note spring clips are not supplied when the concrete-in box is specified. The fitting is held in place with a silicone gasket provided within the box.



Photometrics

Photometric files are included in the design pack which can be downloaded from the LD59 product page on the website.

Order Codes and Options

Product code	LED colour	Finish	Fixing
LD59 - C1- 350 - 500 - 700			

Example: LD59-C1-700 / LW30 / Stainless steel / SC

Product codes with output options

1.2W LED at 350mA	LD59-C1-350
1.7W LED at 500mA	LD59-C1-500
2.4W LED at 700mA	LD59-C1-700

LED colour options

LED colour options	Suffix
Super Warm White (2200K)	/LW22
Extra Warm White (2700K)	/LW27
Warm White (3000K)	/LW30
White (4000K) - on request	/LW40
Cool White (5000K)	/LW50

*Other LED colour temperatures are available. Please speak to a member of our sales team.

Bezel

Polished stainless steel 316
Polished and passivated stainless steel 316 (marine grade polish)
Brushed and passivated stainless steel 316
Paint finish white / black / RAL

Fixing Options

Spring clips	/SC
Concrete-in back box	/CB

Use with 350mA, 500mA and 700mA constant current LED drivers

We have a wide range of dimmable LED drivers, 0-10V, DMX, DALI and Mains dimmable. Please see the downloads section on our website:

- To run 1-14 LD59-C1-350 in series use a TXDEL350D (0-10V dimmable)
- To run 1-14 LD59-C1-500 in series use a TXDEL500D (0-10V dimmable)
- To run 1-13 LD59-C1-700 in series use a TXDEL700D (0-10V dimmable)