

LD73SR



High Power Ultra Shallow Adjustable Recessed Downlight

Data sheet - Page 1

The LD73SR is part of a new range of ultra shallow, high power downlights designed to fit into ceilings with a minimal recess depth. The innovative horizontal heatsink plate combined with low profile optics ensure that the LD73SR fits into a ceiling depth of only 40mm, whilst delivering over 357lm. The tilt adjustment of 25° allows plenty of flexibility when focusing and makes it ideal for general lighting or display applications. Originally designed for yacht installations, this fitting can be specified with an extra red LED for night time navigation. It is rated IP54 as standard making it ideal for use in wet environments.

Key Features

- Only 40mm ceiling depth required
- 357 delivered lumens
- Innovative horizontal heatsink plate
- Adjustable with a 25° tilt
- High power to size ratio
- Recessed LED position for reduced glare
- 93 CRI LEDs
- IP54 as standard
- Hidden fixing with spring clips
- Developed for simple, quick installation
- Available with Switch, 0-10V, DMX, Dali or Mains dimmable drivers

Specification

Applications



Beam Angles

22°, 30°, 40°

LED type

3 x C1 Engine with NICHIA LED

Colour temperature

2200K / 2700K / 3000K / 4000K / 5000K

Drive Current (mA)

350

500

LED power* (W)

3.6

5.1

CRI (typical)

93

93

Forward voltage (V)₁₀₀

9.0V

9.6V

Delivered lumens** (L₁₀₀)

262

357

Lumens per circuit watt

77

71

LED lifetime

L90B5 at 90,000hrs

Materials

Anodised aluminium body, Stainless steel spring clips

Wiring

Comes pre-wired with either a 2 core or 4 core 350mm lead, can be specified with up to 10m at extra cost

Glass

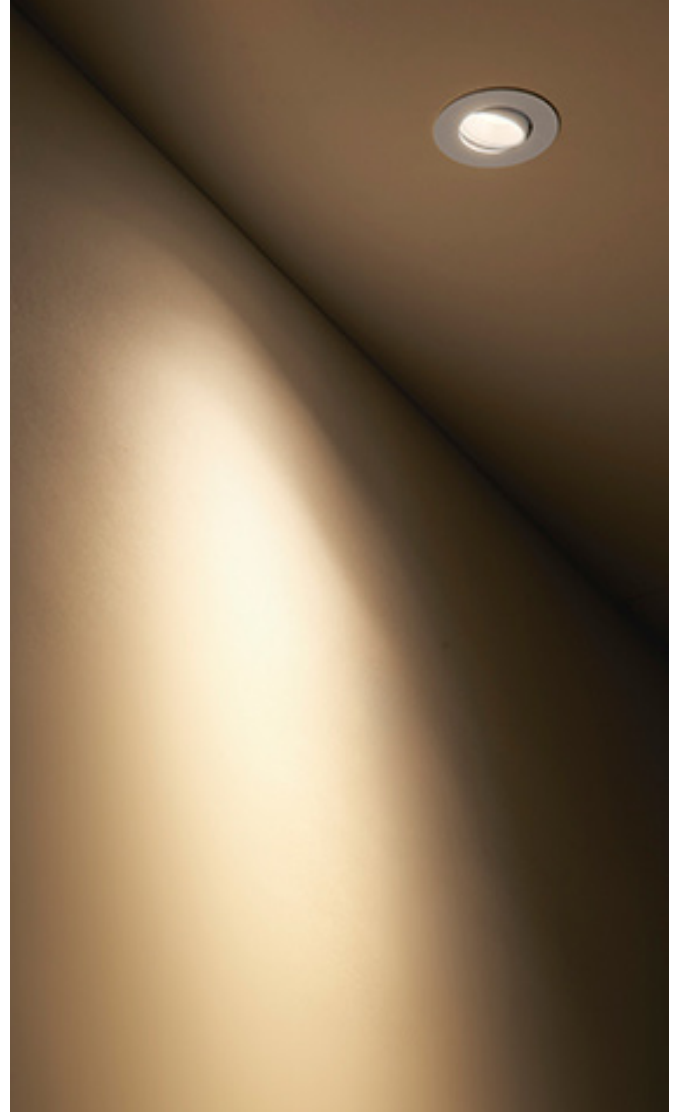
1.2mm thick borosilicate

IP rating

IP54

*LED wattage includes losses associated with using an 85% efficient driver

** Lumen output data applies to all colour temperatures.



LD73SR

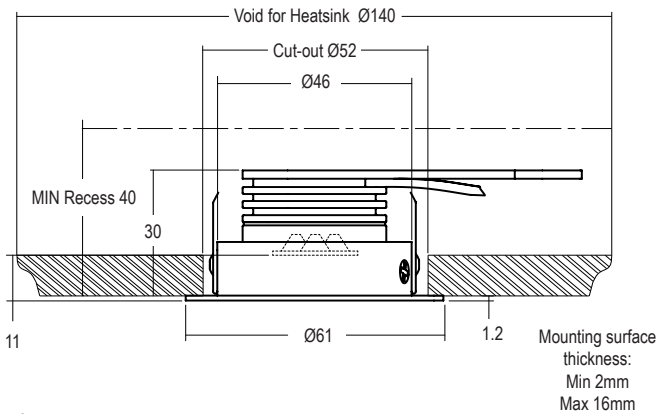


High Power Ultra Shallow Adjustable Recessed Downlight

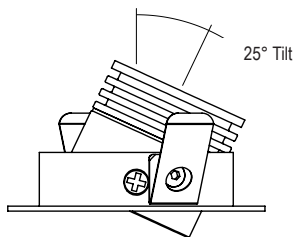
Data sheet - Page 2

Dimensions

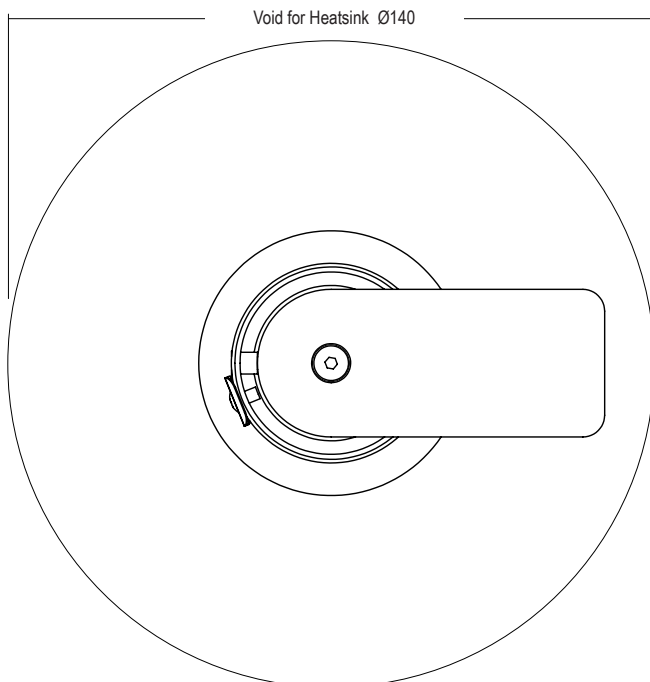
Cross section view



Side view



Top view



Photometrics

Photometric files are included in the design pack which can be downloaded from the LD73SR product page on the website.

Red navigation circuit

For yacht applications in areas where a night time red navigation light is required, the LD73SR can be supplied with the standard 3 white light LED cluster and an additional single red LED on a second circuit. It is supplied with a 4 core cable (2 circuits) and requires 2 drivers. Please see our driver guide for the quantities of LD73SRs that each driver can run.



Order Codes and Options

Product code	LED colour	Beam angle	Finish
LD73SR-C1-350 -500			

Example: LD73SR-C1-350 / LW30+LR / MB / White

Product codes with output options

350mA 3.6W	LD73SR-C1-350
500mA 5.1W	LD73SR-C1-500

LED colour options

Super Warm White (2200K)	/LW22
Extra Warm White (2700K)	/LW27
Warm White (3000K)	/LW30
White (4000K) - on request	/LW40
Cool White (5000K)	/LW50
Optional secondary red navigation circuit	/LW**+LR
Blue	/LB
Green	/LG
Red	/LR
Amber	/LA

*Other LED colour temperatures are available. Please speak to a member of our sales team.

Beam / lens angle options

22° narrow spot	/NB
30° medium	/MB
40° wide	/WB

Finish options

Paint finish silver / black / white (RAL 9016) / antique bronze / satin antique brass / satin brass / RAL finish

Use with 350mA, 500mA and 700mA constant current LED drivers

We have a wide range of dimmable LED drivers, 0-10V, DMX, DALI and Mains dimmable. Please see the downloads section on our website:

To run 1-4 LD73SR-C1-350 in series use a TXDEL350D (0-10V dimmable)

To run 1-4 LD73SR-C1-500 in series use a TXDEL500D (0-10V dimmable)