

LD74SR-OP-C1

High Powered Ultra Shallow Recessed Downlight



Install sheet - Page 1

SPECIFICATION

LED recessed luminaires are class III for Safety Extra Low Voltage **DC** supply. The product should only be used with a supplied or LightGraphix approved **350mA** or **500mA** constant current driver.

Suitable for mounting on normally flammable surfaces.

Lamp: **C1 LED Engine.**

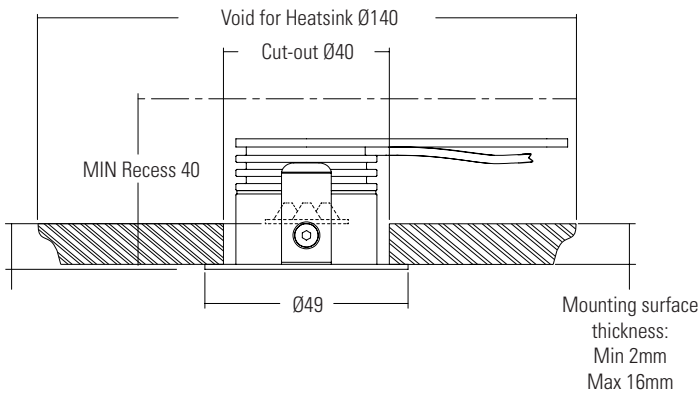
This fitting is **IP54** rated.

Lumen Maintenance: L90B5 at 90,000hrs.

LD74SR-OP - C1	
Product & LED Output Code	Power Output
LD74SR-OP-C1 - 350	350mA 1.2W
LD74SR-OP-C1 - 500	500mA 1.7W

INSTALLATION

1. Bore clearance holes to suit dimensions below (Ø52mm.)
2. Ensure the ceiling void meets the requirements shown on the below diagram. (MIN Ø140mm & MIN 40mm Recess depth.)
3. Wire the luminaire to a specified driver.
4. Squeeze mounting springs into body with finger and thumb.
5. Push the luminaire into the cut-out hole until flush with surface.
6. If required, Orientate and tilt the fitting using a grippy pair of gloves within the hole.



SEE CONSTANT CURRENT WIRING SHEET FOR IN SERIES WIRING DIAGRAM

WIRING

Do not power up until fitting is wired correctly! Constant current LEDs must be wired in series, polarity is critical. Please refer to specified driver sheet for details on the minimum and maximum number of LEDs per circuit.

IMPORTANT

Make sure that all cables and connections are securely connected before switching on the power. Failing to do this can lead to failure of the LEDs and/or the driver. If the LEDs do not work upon power up, turn off the power source immediately and check the polarity of the wiring. Any attempt made to open up and/or modify the luminaire will invalidate the manufacturers warranty. This is inclusive of but not limited to removal of the LightGraphix product label or removal of any parts from the main body of the product including bezels, electrical components and factory fitted fixing methods (unless otherwise stated in these instructions).

CORE COLOUR & POLARITY		
Colour of Cable	Red	Black
Materials	+	-

MAINTENANCE

Clean with soft damp cloth.
LED: Please contact LightGraphix.