

LD74SR-OP



High Power Ultra Shallow Recessed Downlight

Data sheet - Page 1

The LD74SR-OP is a little bit different! It does not use an optic and is supplied with an opal diffuser. The result is an exceptionally wide, diffused beam of light, giving an almost 175° wash. It is part of a new range of ultra shallow, high powered downlights designed to fit into ceilings with a minimal recess depth. The innovative horizontal heatsink plate allows the LD74SR-OP to fit into a 40mm ceiling depth. Applications for this product include display lighting and general illumination where an especially wide spread of light is required. Originally designed for yacht installations, this fitting can be specified with an extra red LED for night time navigation, and is IP54 rated as standard for use in wet environments.

Key Features

- 175° beam of light
- Only 40mm ceiling depth required
- Innovative horizontal heatsink plate
- No spotting of LEDs with a glowing disc of light
- High power to size ratio
- 93 CRI LEDs
- IP54 as standard
- Hidden fixing with spring clips
- Designed for simple, quick installation
- Available with Switch, 0-10V, DMX, Dali or Mains dimmable drivers

Specification

Applications



Beam Angle

175°

LED type

3 x C1 Engine with NICHIA LED

Colour temperature

2200K / 2700K / 3000K | 5000K

Drive Current (mA)	350	500	350	500
LED power* (W)	3.6	5.1	3.6	5.1
CRI (typical)	93	93	75	75
Forward voltage (V) ₁₀₀	9.0V	9.6V	9.0V	9.6V
Delivered lumens** (L ₁₀₀)	130	171	157	206

LED lifetime

L90B5 at 90,000hrs

Materials

Anodised aluminium body, stainless steel spring clips

Wiring

Comes pre-wired with either a 2 core or 4 core 350mm lead, can be specified with up to 10m at extra cost

Diffuser

3mm 030 Opal Perspex

IP rating

IP54

*LED wattage includes losses associated with using an 85% efficient driver

** Lumen output data applies to all colour temperatures.



LD74SR-OP

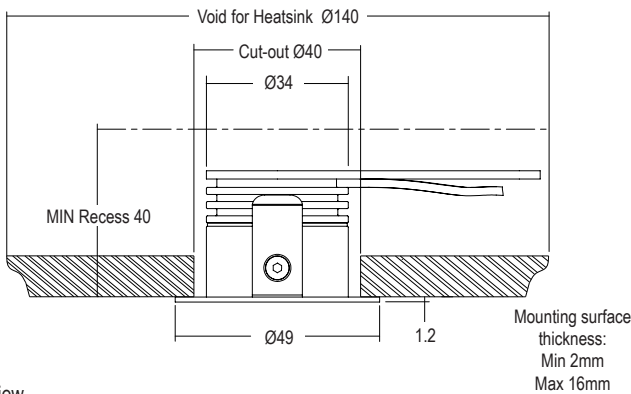


High Power Ultra Shallow Recessed Downlight

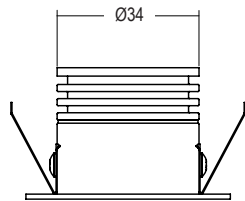
Data sheet - Page 2

Dimensions

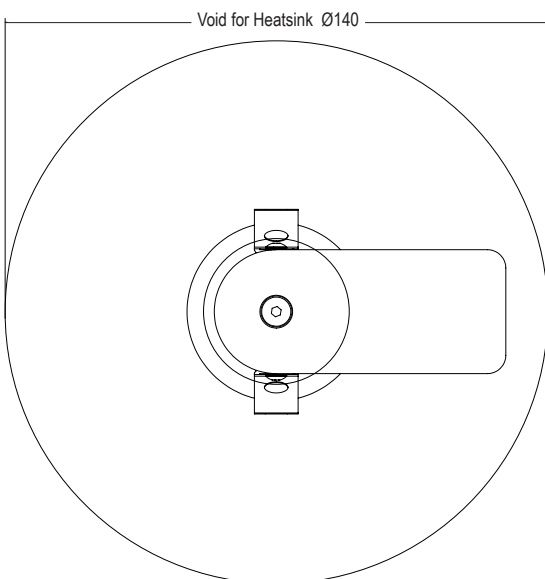
Cross section view



Side view



Top view



Red navigation circuit

For yacht applications in areas where a night time red navigation light is required, the LD74SR-OP can be supplied with the standard 3 white light LED cluster and an additional single red LED on a second circuit. It is supplied with a 4 core cable (2 circuits) and requires 2 drivers. Please see our driver guide for the quantities of LD74SR-OPs that each driver can run.



Order Codes and Options

Product code	LED colour	Finish
LD74SR-OP-C1 - 350 - 500		

Example: LD74SR-OP-C1-350 / LW30+LR / White

Product codes with output options

350mA 3.6W	LD74SR-OP-C1-350
500mA 5.1W	LD74SR-OP-C1-500

LED colour options

Super Warm White (2200K)	/LW22
Extra Warm White (2700K)	/LW27
Warm White (3000K)	/LW30
White (4000K) - on request	/LW40
Cool White (5000K)	/LW50
Optional secondary red navigation circuit	/LW**+LR
Blue	/LB
Green	/LG
Red	/LR
Amber	/LA

*Other LED colour temperatures are available. Please speak to a member of our sales team.

Finish options

Paint finish silver / black / white (RAL 9016) / antique bronze / satin antique brass / satin brass / RAL finish

Chrome finish (minimum order - please contact us)

Use with 350mA, 500mA and 700mA constant current LED drivers

We have a wide range of dimmable LED drivers, 0-10V, DMX, DALI and Mains dimmable. Please see the downloads section on our website:

To run 1-4 LD74SR-OP-C1-350 in series use a TXDEL350D (0-10V dimmable)

To run 1-4 LD74SR-OP-C1-500 in series use a TXDEL500D (0-10V dimmable)