

LD10235-E3

High Powered Floor or Ceiling Mounted Spotlight



Install sheet - Page 1

SPECIFICATION

LED surface mounted luminaires are class III for Safety Extra Low Voltage **DC** supply. The product should only be used with a supplied or LightGraphix approved **350mA, 500mA or 700mA** constant current driver.

Suitable for mounting on normally flammable surfaces.

Lamp: **E3 LED Engine.**

This fitting is **IP67** rated.

Lumen Maintenance: L90B5 at 90,000hrs.

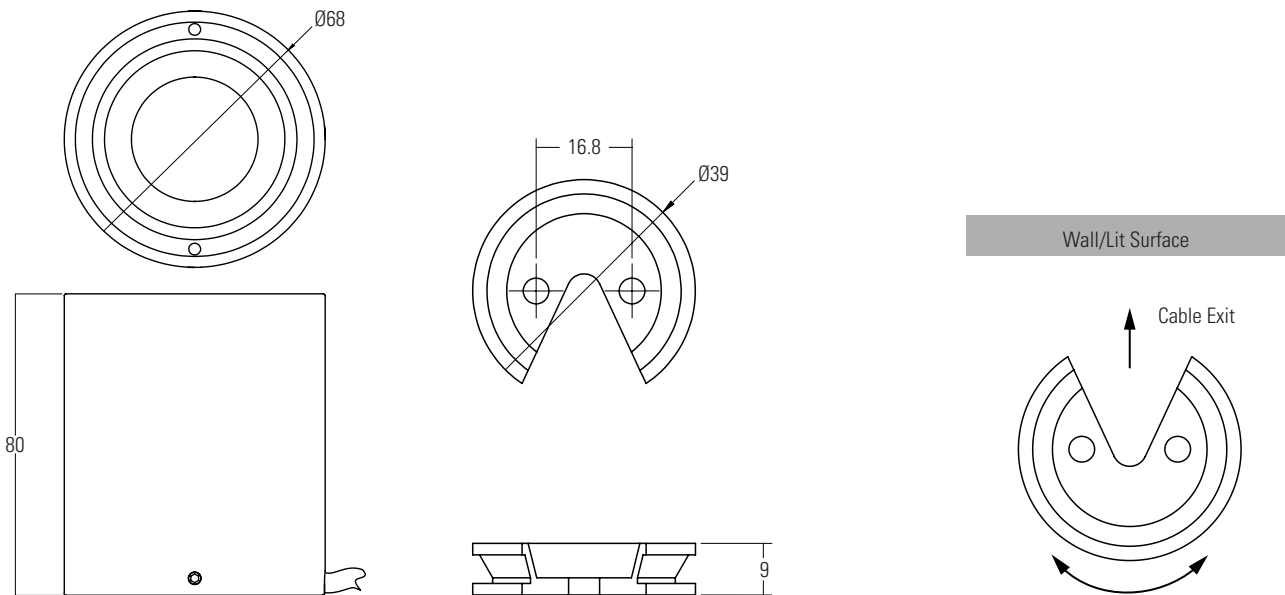
LD10235 - E3	
Product & LED Output Code	Power Output
LD10235-E3 - 350	350mA 5W
LD10235-E3 - 500	500mA 7W
LD10235-E3 - 700	700mA 10W

INSTALLATION

1. Check desired lit effect before committing to installation and ensure mounting surface is flat.
2. Orientate the cut-out of bracket in the direction of desired cable exit. Use No. 6 or No. 8 pan head screws to secure bracket.
3. Ensure the fitting is correctly orientated and secure by fitting grub screws. Tighten with an M2 allen key.

4. Wire luminaire to specified driver. (ensure power is off)

NOTE: For connections in wet environments. Make IP68 connections to stop water travelling up the cables into the fittings! Refer to IP connection sheet for further details.



SEE CONSTANT CURRENT WIRING SHEET FOR IN SERIES WIRING DIAGRAM

WIRING

Do not power up until fitting is wired correctly! Constant current LEDs must be wired in series, polarity is critical. Please refer to specified driver sheet for details on the minimum and maximum number of LEDs per circuit.

IMPORTANT

Make sure that all cables and connections are securely connected before switching on the power. Failing to do this can lead to failure of the LEDs and/or the driver. If the LEDs do not work upon power up, turn off the power source immediately and check the polarity of the wiring. Any attempt made to open up and/or modify the luminaire will invalidate the manufacturers warranty. This is inclusive of but not limited to removal of the LightGraphix product label or removal of any parts from the main body of the product including bezels, electrical components and factory fitted fixing methods (unless otherwise stated in these instructions).

CORE COLOUR & POLARITY		
Colour of Cable	Red	Black
Materials	+	-

MAINTENANCE

Clean with soft damp cloth.
LED: Please contact LightGraphix.