

LD72M



Miniature Low Glare LED Downlight

Data sheet - Page 1

The new LD72M is 2mm smaller in diameter than the LD72 it replaces. It is a miniature LED downlight, ideal for display, niches or general downlighting effects. It is very discreet with the LED set back by 10mm to reduce glare, and a painted bezel which can be matched to the mounting surface. It utilises the latest LED technology with a typical CRI of 93 in warm white. IP40 as standard, but can be specified IP54 for bathrooms or wet environments.

Key Features

- Very minimal depth and bezel diameter
- High power for its size
- High efficiency optics specially designed for LightGraphix guarantee excellent beam spread and shape
- Recessed LED position for reduced glare
- Optional IP54 version for wet areas, comes with glass and gasket
- Hidden fixing options include spring clips
- Simple and fast installation
- Available with Switch, 0-10V, DMX, Dali or Mains dimmable drivers

Specification

Applications



Beam Angles

12°, 31°, 48°

LED type

1 x C1 Engine with NICHIA LED

Colour temperature

2200K / 2700K / 3000K / 4000K / 5000K

Drive Current (mA)

350 500 700

LED power* (W)

1.2W 1.7W 2.4W

CRI (typical)

93 93 93

Forward voltage (V)₁₀₀

3.0V 3.2V 3.4V

Delivered lumens** (L₁₀₀)

112 146 196

Lumens per circuit watt

94 86 82

LED lifetime

L90B5 at 90,000hrs

Environmental

TM65:

Available on request

TM66:

2.5

Materials

Anodised & painted aluminium body, bezel

Glass

1.2mm thick borosilicate (IP54 version only)

Wiring

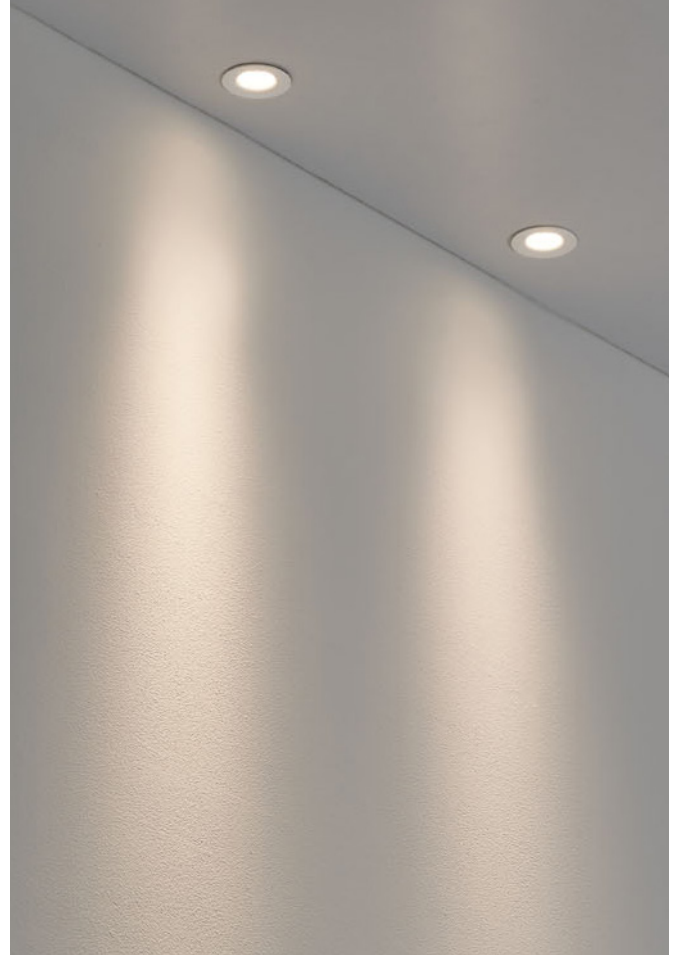
Comes pre-wired with 2x 200mm single core lead, can be specified with up to 3m of single core cable at extra cost

IP rating

IP40 standard (optional IP54)

*LED wattage includes losses associated with using an 85% efficient driver

** Lumen output data applies to all colour temperatures.



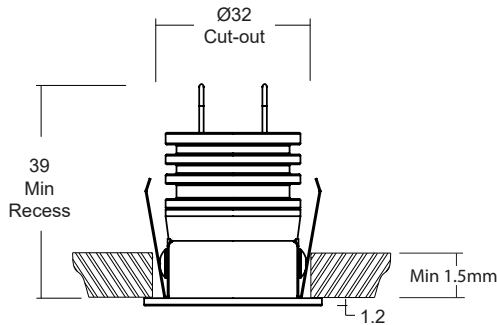
LD72M

Miniature Low Glare LED Downlight

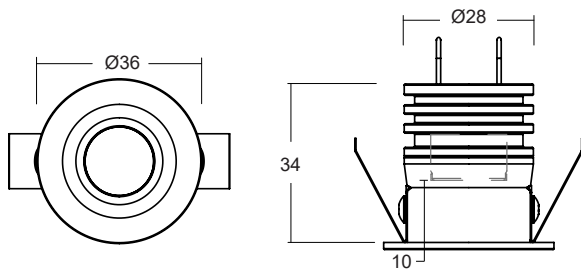


Data sheet - Page 2

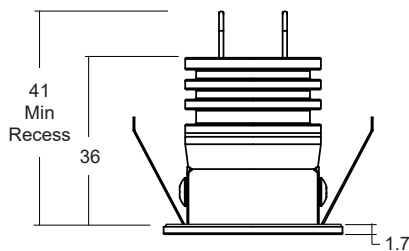
Dimensions and Fixing Options



LED and optic position recessed by 10mm for reduced glare.



IP54 rated version is supplied with an extra gasket which sits between the bezel and the mounting surface.



Photometrics

Photometric files are included in the design pack which can be downloaded from the LD72M product page on the website.

Order Codes and Options

Product code	LED colour	Beam angle	IP Rating	Finish
LD72M-C1-350 -500 -700				

Example: LD72M-C1-700 / LW30 / MB / IP54 / White

Product codes with output options

1.2W LED at 350mA	LD72M-C1-350
1.7W LED at 500mA	LD72M-C1-500
2.4W LED at 700mA	LD72M-C1-700

LED colour options

LED colour options	Suffix
Super Warm White (2200K)	/LW22
Extra Warm White (2700K)	/LW27
Warm White (3000K)	/LW30
White (4000K) - on request	/LW40
Cool White (5000K)	/LW50
Blue	/LB
Green	/LG
Red	/LR
Amber	/LA

*Other LED colour temperatures are available. Please speak to a member of our sales team.

Beam / lens angle options

12° narrow spot	/NB
31° medium	/MB
48° wide	/WB

IP Rating

IP40 (dry internal use as standard)	/IP40
IP54 rated for moist environments	/IP54

Bezel finish options

Paint finish silver / white (RAL 9016) / antique bronze / satin antique brass / satin brass / black (RAL 9005) / anthracite grey (RAL 7016) / RAL finish

Chrome finish (minimum order - please contact us)

Use with 350mA, 500mA & 700mA constant current LED drivers

We have a wide range of dimmable LED drivers, 0-10V, DMX, DALI and mains dimmable. Please see the downloads section on our website:

To run 1-14 LD72M-C1-350 in series use a TXDEL350D (0-10V dimmable)

To run 1-14 LD72M-C1-500 in series use a TXDEL500D (0-10V dimmable)

To run 1-13 LD72M-C1-700 in series use a TXDEL700D (0-10V dimmable)