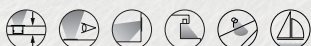


LD42D

ULTRA-LOW GLARE MINIATURE SEMI-RECESSED DOMED LED WALL LIGHT



The miniature LD42D is ideal for discreet lighting of steps and pathways within interior, exterior and marine applications. The fitting is an evolution of our popular LD42, offering a new bezel aesthetic. When viewed from above, the machined, domed bezel obscures the light source, resulting in ultra-low glare. LD42D offers a powerful floor wash reaching up to 3 metres, with an optional 20° Tilt lens to focus the beam down onto the lit surface. With Narrow to Oval beam angles available and a high IP rating, a range of lighting effects can be created even in the harshest environments.

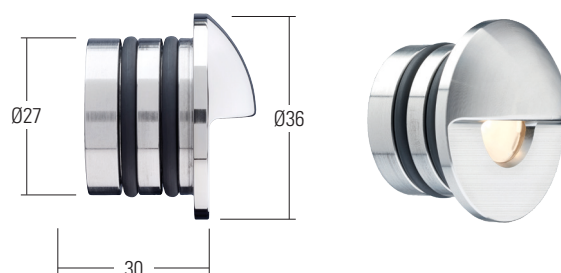
KEY FEATURES

- > Machined domed body offers an ultra low glare solution by obscuring the light source from view and directing it only onto the lit surface
- > High-power C1 engine with NICHIA LED delivering up to 73lm
- > Miniature fitting with very minimal body depth and bezel diameter
- > Optional 20° Tilt lens to focus the light down onto to the lit surface
- > Range of beam angles including new Extra Oval beam, a wall grazing optic now available for floor washing across the LD42 range
- > Wide range of high-quality machined metal and painted bezel finishes available, including: 316 Stainless Steel, Polished & Passivated 316 Stainless Steel, Machined Brass, Flamed Solid Bronze, White (RAL 9016), Black (RAL 9005), Antique Bronze, Satin Antique Brass, Satin Brass, Anthracite Grey (RAL 7016) or any RAL colour
- > Use with our LD43 uplight for a uniform floor and wall washing effect
- > Hidden fixing options include spring clips or /480 first fix sleeve with o-rings
- > Switched, 0-10V, casambi, DMX, DALI or mains dimmable drivers available




DIMENSIONS

Dimensions in mm

For fixing dimensions please go to page 3.



WHITE LED ENGINE SPECIFICATION

Product	LD42D		LD42D with Tilt lens	
Engine	 C1		 C1	
Beam angles	12°, 31°, 50°, 30° x 66°		26°, 31°, 40°, 25° x 57°	
LED manufacturer	NICHIA		NICHIA	
Colour temperature*	2200K / 2700K / 3000K / 4000K / 5000K		2200K / 2700K / 3000K / 4000K / 5000K	
Current	350mA	500mA	350mA	500mA
LED power (Max)**	1.2W	1.7W	1.2W	1.7W
Delivered lumens (L ₁₀₀)*	61	73	57	69
Lumens per circuit watt	58	49	54	46
CRI (Typ)	93		93	
Forward voltage (V ₁₀₀)	3.2V		3.2V	
Colour consistency	2 SCDM		2 SCDM	
Peak intensity	448 cd		371 cd	
LED Lumens	157lm		157lm	
LOR	0.34		0.32	
TM30	RF92	RG100	RF92	RG99
LED lifetime	L90B5 at 90,000hrs			
Applications				

This data is based on LD42D-C1-500-NB and LD42D-C1-500-NB

*Lumen output data applies to all colour temperatures

**Indicates the nominal power for the LED run at that particular current and includes losses associated with using an 85% efficient driver

MECHANICAL

Ambient temperature	-20 to +35 (500mA), or -20 to +45 (350mA)
Glass	1.2mm thick low iron glass
Materials	316 stainless steel bezel and body, stainless steel spring clips, acetal sleeve and rubber o-rings
Weight of product	0.078kg
IP rating	IP67
Wiring	In-series constant current wiring (pre-wired with 2 x single core cable at a length of 150mm)

AVAILABLE FINISHES

Please refer to our finishes guide for full details



316 STAINLESS STEEL

- > Marine grade 316 Steel
- > Standard machined finish
- > Extremely durable
- > Passivation recommended for marine environments to prevent corrosion and build up of brown stains caused by oxidation
- > Interior & exterior use



POLISHED & PASSIVATED 316 STAINLESS STEEL

- > Marine Grade 316 Steel
- > Pristine, mirror like finish
- > Recommended for pools and marine applications
- > Extremely durable
- > Passivated to extensively prolong resistance to corrosion and brown stains caused by oxidation in marine environments
- > Interior & exterior use



MACHINED BRASS

- > Solid CZ121 Brass
- > Standard machined finish
- > Corrosion resistance rated fair to excellent
- > Please note a natural green/brown patination layer will form after long term exposure to the elements, the extent of this discolouration will be dependant on its location.
- > Interior & exterior use



FLAMED SOLID BRONZE

- > Solid Bronze
- > Hand finished Flamed Bronze unique to LightGraphix
- > Extremely durable with very high corrosion resistance
- > Please note a natural dark patination layer will form after long term exposure to the elements, the extent of this discolouration will be dependant on its location.
- > Interior & exterior use



PAINT FINISH - WET SPRAY

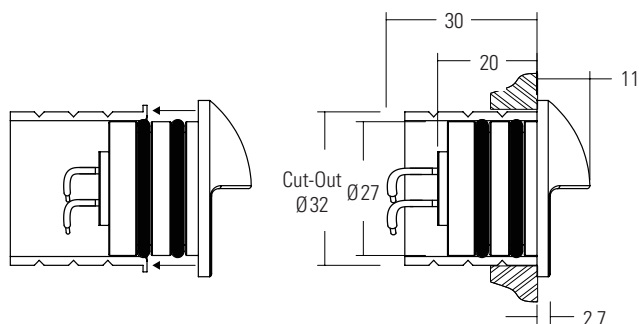
- > Fine coating with slightly metallic finish
- > White (RAL 9016), Black (RAL 9005), Antique Bronze, Satin Antique Brass, Satin Brass, Anthracite Grey (7016) or any RAL colour available
- > Not recommended for footlights in high traffic areas
- > Interior & exterior use

DIMENSIONS AND FIXING ACCESSORIES

Dimensions in mm

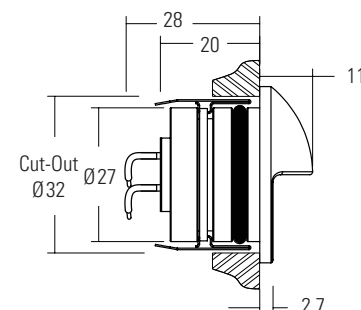
/480 O-rings and sleeve

Acetal sleeve rubber o-rings provide a robust, watertight method fixing.



/SC Spring clip fixing

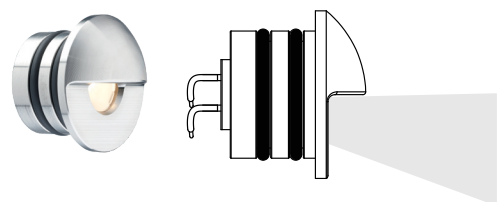
Stainless steel spring clips provide a simple single-fix mounting method.



LIGHT OUTPUT OPTIONS

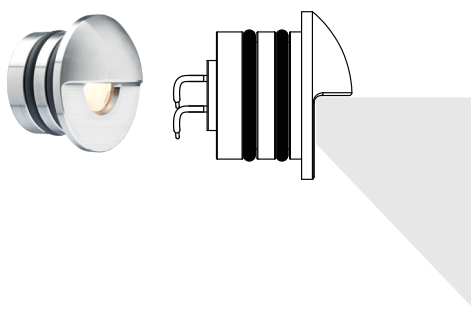
LD42D without Tilt lens

Provides a throw of light up to 3 metres when specified at 500mA, ideal for lighting wide staircases and pathways.



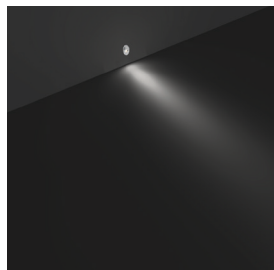
LD42D with Tilt lens

The addition of a 20° Tilt lens focuses the light down onto the lit surface for a concentrated effect. Ideal for discreet lighting or narrow applications.

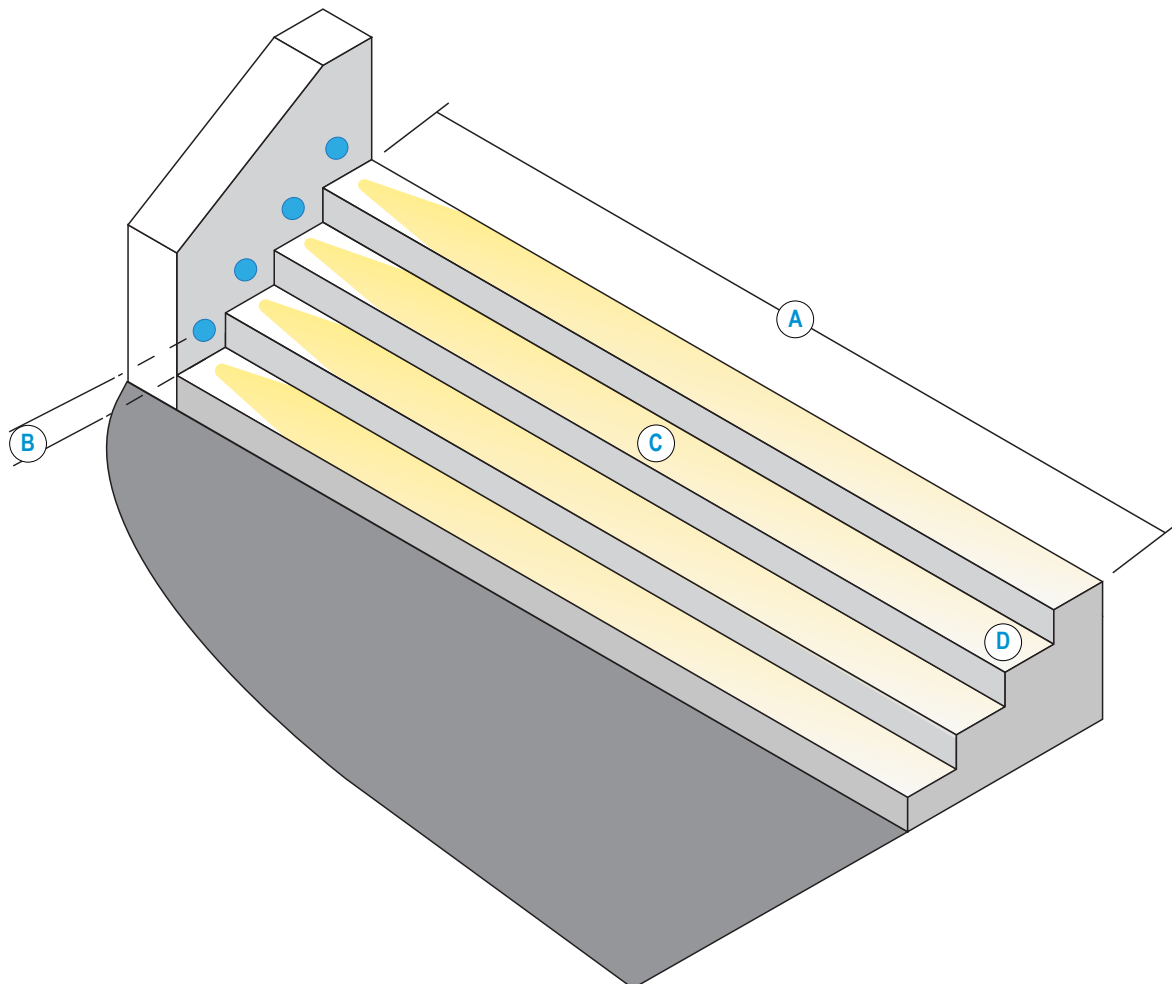


INSTALLATION GUIDE - STEP LIGHTING

Below is a step application guide with suggested luminaire mounting heights for lighting across steps. Every project and lighting scenario will be different and the table below is to be used as a starting point. Please use our photometric files to further test the desired effect for your application. Files are available on the LD42D product page on our website.



LD42D - NB



LD42D-350-NB

A	Step width	1000mm	1500mm	2000mm	2500mm	3000mm
B	Height of fittings	100mm (above step)				
C	Mid-step illuminance (Lux)	67 LX	44 LX	25 LX	15 LX	9 LX
D	End of step illuminance (Lux)	29 LX	10 LX	5 LX	3 LX	2 LX

LD42D-500-NB

A	Step width	1000mm	1500mm	2000mm	2500mm	3000mm
B	Height of fittings	100mm (above step)				
C	Mid-step illuminance (Lux)	95 LX	53 LX	29 LX	17 LX	11 LX
D	End of step illuminance (Lux)	33 LX	12 LX	5 LX	3 LX	2 LX

LD42D-350-MB - with Tilt

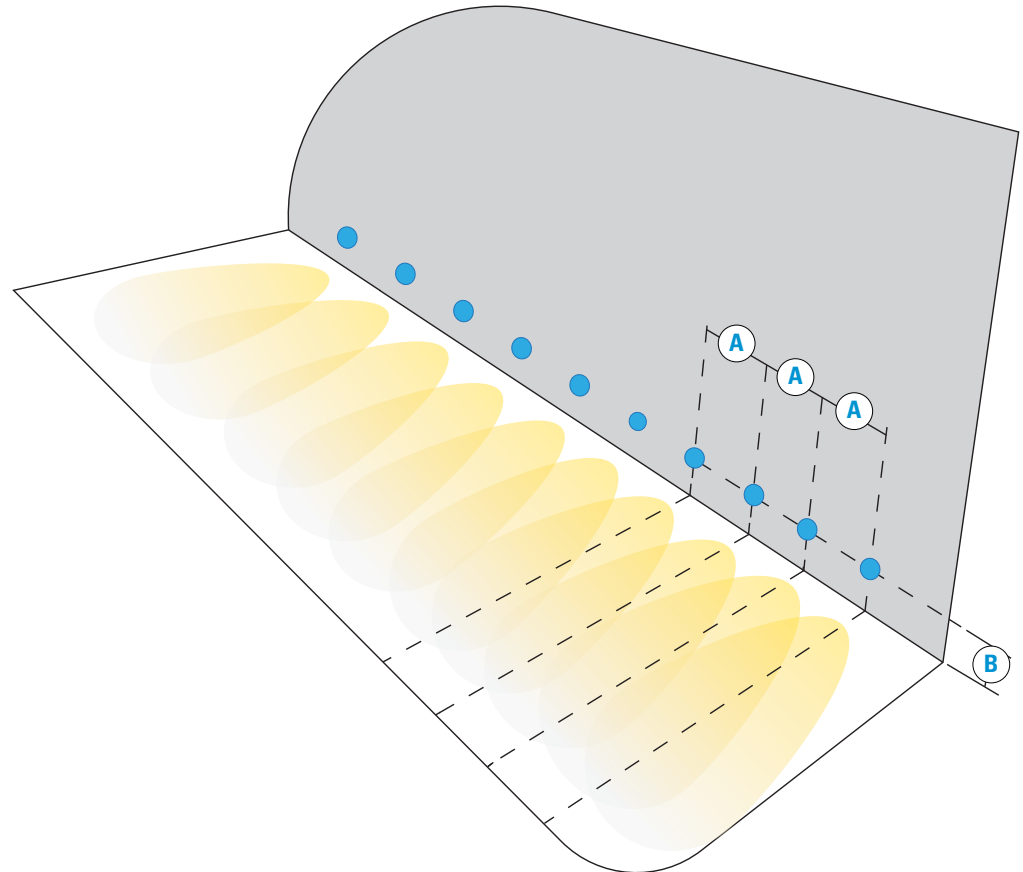
A	Step width	1000mm	1500mm	2000mm	2500mm	3000mm
B	Height of fittings	175mm	200mm	225mm	250mm	275mm
C	Mid-step illuminance (Lux)	311 LX	84 LX	31 LX	14 LX	8 LX
D	End of step illuminance (Lux)	21 LX	5 LX	2 LX	1 LX	1 LX

LD42D-500-MB - with Tilt

A	Step width	1000mm	1500mm	2000mm	2500mm	3000mm
B	Height of fittings	175mm	200mm	225mm	250mm	275mm
C	Mid-step illuminance (Lux)	372 LX	104 LX	3 LX	1 LX	1 LX
D	End of step illuminance (Lux)	26 LX	6 LX	38 LX	17 LX	10 LX

INSTALLATION GUIDE - BULWARK/PATHWAY LIGHTING

Below is an application guide for narrow corridors and pathways with suggested luminaire spacing and mounting heights for achieving an even floor wash. Every project and lighting scenario will be different and the table below is to be used as a starting point. Please use our photometric files to further test the desired effect for your application. Files are available on the LD42D product page on our website.



LD42D-500	/NB	/MB	/WB	/EOB
A Space between fittings	250mm	400mm	450mm	600mm
B Height of fitting (from floor)	150mm	200mm	300mm	200mm
Average (Lux)	77 LX	54 LX	48 LX	46 LX

LD42D-500 - with Tilt	/MSB	/MB	/WB	/EOB
A Space between fittings	180mm	250mm	350mm	500mm
B Height of fitting (from floor)	350mm	400mm	450mm	450mm
Average (Lux)	202 LX	116 LX	76 LX	43 LX

Results based on achieving >0.6 uniformity on a 1.5M wide bulwark/pathway

ORDER CODES & OPTIONS

Example: LD42D-C1-350 / LW30 / MSB / A / 316 Stainless Steel / 480

Light Engine & Drive Current / LED Colour / Beam Angle / Optical option / Finish / Fixing

C1

1.2W LED at 350mA	LD42D-C1-350
1.7W LED at 500mA	LD42D-C1-500

Super Warm White (2200K)	/LW22
Extra Warm White (2700K)	/LW27
Warm White (3000K)	/LW30
White (4000K) on request	/LW40
Cool White (5000K)	/LW50

12° Narrow	/NB
31° Medium (only available with Tilt lens)	/MB
50° Wide (40° when used with Tilt lens)	/WB
30° x 66° Oval (25° x 57° when used with Tilt lens)	/EOB

20° Tilt (not available with Narrow beam)	A
No tilt	L

	316 Stainless Steel
	Polished & Passivated 316 Stainless Steel (for marine environments)
	Machined Brass
	Flamed Solid Bronze
	WET SPRAY Antique Bronze
	WET SPRAY Satin Antique Brass
	WET SPRAY Satin Brass
	WET SPRAY Black (RAL 9005)
	WET SPRAY Anthracite Grey (RAL 7016)
	WET SPRAY White (RAL 9016)
	WET SPRAY RAL

	/480
	/SC

Drivers
Use with 350mA and 500mA constant current LED drivers
We have a range of dimmable LED drivers including DMX and DALI compatible. Please see the downloads section on our website.