

LD44

LOW GLARE MINIATURE RECESSED INTERIOR & EXTERIOR LED UPLIGHT/WALL LIGHT



The LD44 has been designed for interior & exterior applications and can be specified as an uplight (LD44X) or wall light (LD44Y). Developed around our LD42 and LD43 range, it features a 2-core sheathed cable for exterior installations, delivering up to 180 lumens with a drive current option of 700mA. Optics are recessed 10mm for low glare and glare shield options allow aperture reductions of 45% or 70%. An optional 20° Tilt lens can be used to focus the light onto the lit surface for a more concentrated effect. With a replaceable light engine and anti-wicking barrier, the LD44 offers a robust, miniature solution for exterior rated uplighting and wall light applications in harsh environments.



KEY FEATURES

- > High-power C1 engine with NICHIA LED delivering up to 180lm at 700mA
- > For interior and exterior uplight (LD44X) or wall light (LD44Y) applications, with a 2-core sheathed cable for exterior installations
- > Minimal body depth and bezel diameter with optics recessed 10mm for low glare
- > Range of beam angles including 12°, 31°, 48°, 12° x 36°
- > Available with a 45% or 70% glare shield accessory
- > Optional 20° Tilt lens angles the light onto the lit surface for a more concentrated effect
- > Features an RLE (Replaceable Light Engine) engine with anti-wicking barrier to increase protection against moisture ingress
- > Wide range of high-quality machined metal, painted wet spray and powder coated bezel finishes available, including: 316 Stainless Steel, Polished & Passivated 316 Stainless Steel, Brass, Flamed Solid Bronze
- > Fixing options include spring clips or /480 first fix sleeve with O-rings
- > Switched, 0-10V, Casambi, DMX, DALI or Mains dimmable drivers available



DIMENSIONS

Dimensions in mm

For fixings and dimensions please go to page 4.



WHITE LED ENGINE SPECIFICATION

| | | | |
|---------------------------------------|--|------------------|------------------|
| Engine |  C1 | | |
| Beam angles | 12°, 31°, 48°, 12° x 36° | | |
| LED manufacturer | NICHIA | | |
| Colour temperature | 2200K / 2700K / 3000K / 4000K / 5000K | | |
| Current | 350mA | 500mA | 700mA |
| LED power (Max)** | 1.1W (1.2W**) | 1.5W (1.7W**) | 2.1W (2.4W**) |
| Delivered lumens (L ₁₀₀)* | 103 | 134 | 180 |
| Lumens per circuit watt | 94 | 89 | 86 |
| Forward voltage (V ₁₀₀) | 3.4V | | |
| CRI (Typ) | 93 | | |
| Colour consistency | 2 SCDM | | |
| Peak intensity | 1057 cd | | |
| LED Lumens | 206 | | |
| LOR | 0.87 | | |
| TM30 | RF93 | RG100 | |
| UGR*** | 18.3 | | |
| LED lifetime | L90B5 @ 90,000hrs | | |
| Applications |  | | |

This data is based on LD44X-C1-700-LW30-NB

*Lumen output data applies to all colour temperatures

**Indicates the nominal power for the LED run at that particular current and includes losses associated with using an 85% efficient driver

*** UGR values based on room parameters of 4H 8H, C70 W50 F20

MECHANICAL

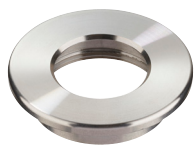
| | |
|---------------------|--|
| Ambient temperature | -20° to 45° (350mA-500mA) or -20° to 35° (700mA) |
| Glass | 3.3mm thick borosilicate glass with black ceramic screen print |
| Materials | Hard anodised aluminium body, machined 316 stainless steel bezel |
| IP rating | IP68 |
| IK rating | IK06 |
| Wiring* | In-series constant current wiring (pre-wired with 2 x core cable at a length of 250mm) |

ENVIRONMENTAL

| | |
|------|----------------------|
| TM65 | Available on request |
| TM66 | 2.7 |

AVAILABLE FINISHES

Please refer to our finishes guide for full details



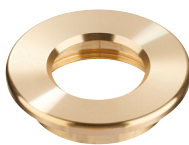
316 STAINLESS STEEL

- > Marine grade 316 Steel
- > Standard machined finish
- > Extremely durable
- > Passivation recommended for marine environments and build up of brown stains caused by oxidation
- > Interior & exterior use



POLISHED & PASSIVATED 316 STAINLESS STEEL

- > Marine Grade 316 Steel
- > Mirror like finish
- > Extremely durable
- > Passivated to extensively prolong resistance to corrosion and brown stains caused by oxidation in marine environments
- > Interior & exterior use



MACHINED BRASS

- > Solid CZ121 Brass
- > Standard machined finish
- > Corrosion resistance rated fair to excellent
- > Please note a natural green/brown patination layer will form after long term exposure to the elements, the extent of this discolouration will be dependant on its location.
- > Interior & exterior use



FLAMED SOLID BRONZE

- > Solid Bronze
- > Hand finished Flamed Bronze unique to LightGraphix
- > Extremely durable with very high corrosion resistance
- > Please note a natural dark patination layer will form after long term exposure to the elements, the extent of this discolouration will be dependant on its location.
- > Interior & exterior use



PAINT FINISH - POWDER COAT (LD44X) & WET SPRAY (LD44Y)

- > The powder coated finish is very matt with a smooth texture unless stated otherwise
- > Powder coat finishes: White (RAL 9016), Black (RAL 9005), Classic Bronze (YM262E), Gunmetal Grey (RAL 7021) Textured Mars Bronze (SX350F), Textured Fir Green (RAL 6009) or any RAL colour
- > Powder coat is not recommended for high-traffic in-ground applications, unless placed to one side where it will not be walked on
- > The wet spray finish offers a fine coating with a slightly metallic finish
- > Wet spray finishes: White (RAL 9016), Black (RAL 9005), Antique Bronze, Satin Antique Brass, Satin Brass, Anthracite Grey (7016) or any RAL colour
- > Wet spray finishes are not recommended for in-ground applications
- > Both paints are suitable for interior & exterior use

LD44 APPLICATION

In an effort to bring a modular approach to our new products, we now offer a further level of configuration to allow the same products for multiple applications. This includes bezel options and optical Tilt lenses. These products will feature the suffix of LD44X for in-ground applications and LD44Y for wall/downlight applications referring to the axis of the mounting surface of the luminaire.

LD44X (Uplight)

The LD44X bezel is designed for in-ground applications. The glass is glued from the front to provide the bezel with a flush glass to help prevent the build-up of dirt and dust in the aperture.



LD44Y (Wall light)

The LD44Y bezel is designed for recessed wall applications. The glass is secured from behind with no glue line, allowing for a slightly smaller aperture and a more aesthetically pleasing luminaire. Pair the LD44Y bezel with our asymmetric Tilt-lens for a great wall mounted floor washer.

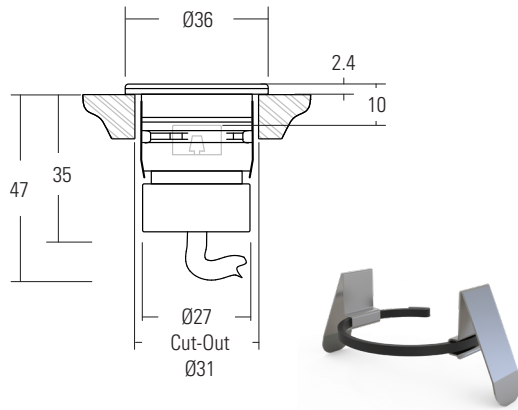


DIMENSIONS AND FIXING ACCESSORIES

Dimensions in mm

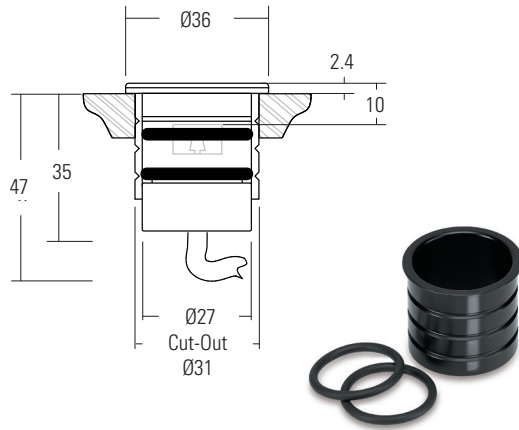
/SC Spring clip

Provides a simple single-fix mounting method that is most suited to interior wall and floor applications.



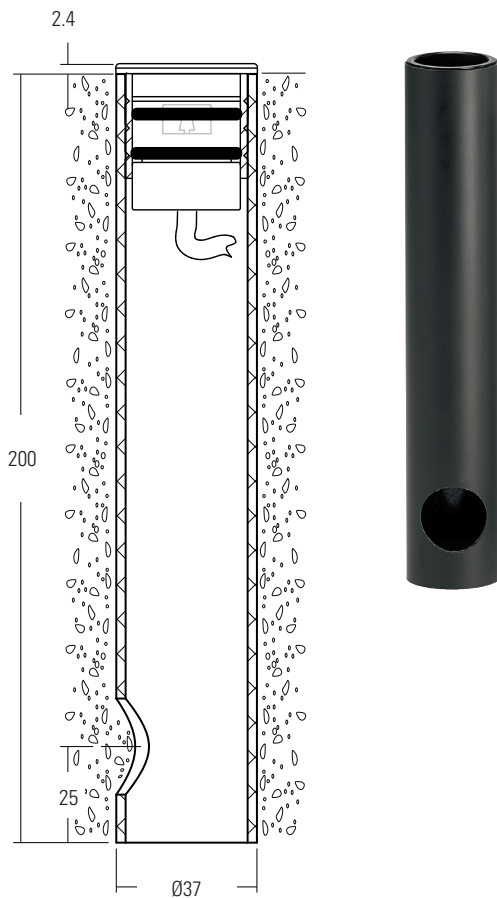
/480 O-rings and sleeve

Robust, watertight method of fixing for in-ground exterior applications.



/480GT Ground tube

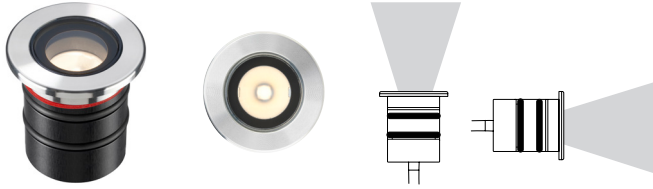
The in-ground tube has been designed for applications where a recessed uplighter is required in soil or gravel terrain. The tube can be buried with the necessary wiring, and then the fitting installed after the landscaping work has been completed. It is supplied with the fixing sleeve bonded into the tube, and can be cut down on site.



GLARE CONTROL AND LIGHT OUTPUT OPTIONS

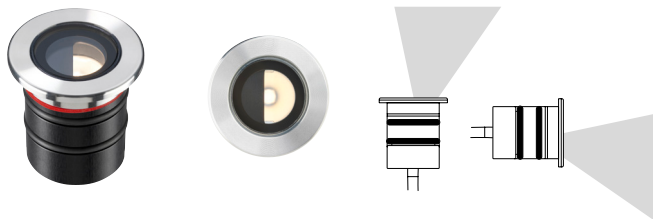
LD44

Circular aperture with lens and LED assembly recessed into the body by 10mm.



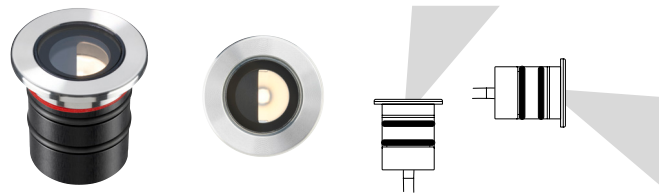
LD44 with GS44-45

Addition of a half-moon glare shield in front of the lens to further reduce glare. Please note that the Oval beam cannot be used with GS44-45.



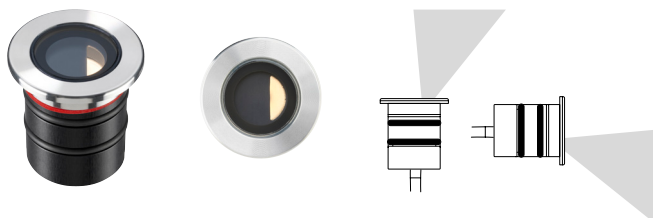
LD44 with Tilt lens and GS44-45

Features a half-moon glare shield, but with the addition of an integral 20° Tilt lens which angles the light towards the lit surface. Please note that the Oval beam cannot be used with the Tilt lens and GS44-45.



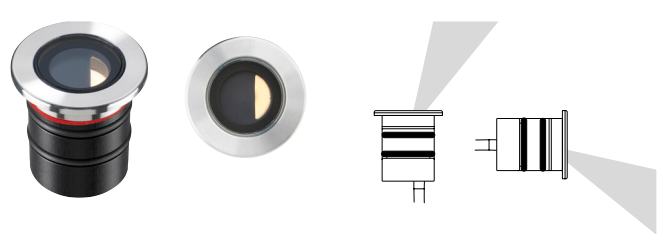
LD44 with GS44-70

Features a 70% glare shield for applications that require minimal output and glare. Please note that the Oval beam cannot be used with the GS44-70.



LD44 with Tilt lens and GS44-70

Features a 70% glare shield, but with the addition of an integral 20° Tilt lens which angles the light towards the lit surface. Please note this option is only available in a Narrow beam.



ORDER CODES & OPTIONS - LD44X

Example: LD44X - C1-700 / LW30 / OB / L / NGS / 316 STAINLESS STEEL / SC

Light engine & drive current / LED colour / Beam angle / Optical option / Glare shield / Finish / Fixing

C1

LD44X (uplight)



| | |
|-------------------|--------------|
| 1.2W LED at 350mA | LD44X-C1-350 |
| 1.7W LED at 500mA | LD44X-C1-500 |
| 2.4W LED at 700mA | LD44X-C1-700 |

| | |
|----------------------------|-------|
| Super Warm White (2200K) | /LW22 |
| Extra Warm White (2700K) | /LW27 |
| Warm White (3000K) | /LW30 |
| White (4000K) - on request | /LW40 |
| Cool White (5000K) | /LW50 |

| | |
|----------------|-----|
| 12° Narrow | /NB |
| 31° Medium | /MB |
| 48° Wide | /WB |
| 12° x 36° Oval | /OB |

| | |
|----------|---|
| 20° Tilt | A |
| No tilt | L |

| | |
|---|---|
|  | NGS |
|  | GS44-45 (not applicable with Oval beam) |
|  | GS44-70 (Not applicable with Oval beam. When using Tilt lens, only Narrow beam can be specified) |

| | |
|---|---|
|  | 316 Stainless Steel |
|  | Polished & Passivated 316 Stainless Steel (for marine environments) |
|  | Machined Brass |
|  | Flamed Solid Bronze |
|  | POWDER COAT White (RAL 9016) |
|  | POWDER COAT Black (RAL 9005) |
|  | POWDER COAT Classic Bronze (YM262E) |
|  | POWDER COAT Gunmetal Grey (RAL 7021) |
|  | POWDER COAT Textured Fir Green (RAL 6009) |
|  | POWDER COAT Textured Mars Bronze (SX350F) |
|  | POWDER COAT RAL |

| | |
|---|--------|
|  | /480 |
|  | /SC |
|  | /480GT |

| |
|---|
| Drivers |
| Use with 350mA, 500mA and 700mA constant current LED drivers We have a range of dimmable LED drivers including DMX and DALI compatible. Please see the downloads section on our website. |

ORDER CODES & OPTIONS - LD44Y

Example: LD44Y - C1-700 / LW30 / OB / L / NGS / 316 STAINLESS STEEL / SC

Light engine & drive current / LED colour / Beam angle / Optical option / Glare shield / Finish / Fixing

C1

LD44Y (wall light)



| | |
|-------------------|--------------|
| 1.2W LED at 350mA | LD44Y-C1-350 |
| 1.7W LED at 500mA | LD44Y-C1-500 |
| 2.4W LED at 700mA | LD44Y-C1-700 |

| | |
|----------------------------|-------|
| Super Warm White (2200K) | /LW22 |
| Extra Warm White (2700K) | /LW27 |
| Warm White (3000K) | /LW30 |
| White (4000K) - on request | /LW40 |
| Cool White (5000K) | /LW50 |

| | |
|----------------|-----|
| 12° Narrow | /NB |
| 31° Medium | /MB |
| 48° Wide | /WB |
| 12° x 36° Oval | /OB |

| | |
|----------|---|
| 20° Tilt | A |
| No tilt | L |

| | |
|--|--|
|  | NGS |
|  | GS44-45 (not applicable with Oval beam) |
|  | GS44-70 (narrow beam only) |

| | |
|---|--|
|  | 316 Stainless Steel |
|  | Polished & Passivated 316 Stainless Steel (for marine environments) |
|  | Machined Brass |
|  | Flamed Solid Bronze |
|  | POWDER COAT White (RAL 9016) |
|  | POWDER COAT Black (RAL 9005) |
|  | POWDER COAT Classic Bronze (YM262E) |
|  | POWDER COAT Gunmetal Grey (RAL 7021) |
|  | POWDER COAT Textured Fir Green (RAL 6009) |
|  | POWDER COAT Textured Mars Bronze (SX350F) |
|  | POWDER COAT RAL |

| | |
|---|------|
|  | /480 |
|  | /SC |

Drivers
Use with 350mA, 500mA and 700mA constant current LED drivers
We have a range of dimmable LED drivers including DMX and DALI compatible. Please see the downloads section on our website.