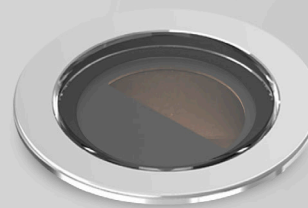


## LD141

### COMPACT EXTERIOR RECESSED LED UPLIGHT/WALL LIGHT



The LD141 has been designed for exterior applications and can be specified as an uplight (LD141X) or wall light (LD141Y). Compact in size, the fittings offer a powerful output with a large range of features. There are 2 LED engine options available. The E3 engine delivers a high output of 462 lumens and beam angles ranging from a 12° narrow to a 15° x 49° extra oval beam, whilst the F1 engine offers a super warm colour temperature of 2200K. Both configurations offer the ability to specify a 20° tilt film to angle the light down onto the lit surface for a more concentrated effect. Designed with a repairable light engine, glare and fixing accessories, the LD141 offers a circular, low glare, solution for a range of exterior rated applications.



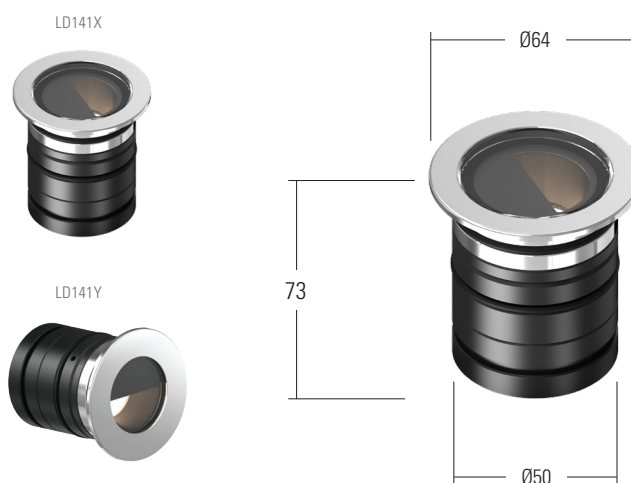
## KEY FEATURES

- > High-power E3 engine with NICHIA LED delivering up to 462lm at 500mA
- > F1 LED engine with CREE COB with super warm 2200K option
- > For exterior uplight (LD141X) or wall light (LD141Y) applications
- > Range of beam angles including 12°, 19°, 34°, 54°, 15° x 49°
- > Optional 20° tilt film angles the light onto the lit surface for a concentrated effect
- > Wide range of high-quality machined metal, painted wet spray and powder coated bezel finishes available, including: 316 Stainless Steel, Polished & Passivated 316 Stainless Steel, Brass, White (RAL 9016), Black (RAL 9005), Classic Bronze (YM262E), Gunmetal Grey (RAL 7021), Textured Mars Bronze (SX350F), Textured Fir Green (RAL 6009) or any RAL colour
- > Optional glare shield and honeycomb louvre for further glare reduction
- > Fixing options include spring clips or /480 first fix sleeve with O-rings, concrete housing and ground tube
- > Repairable engine with anti-wicking barrier to increase protection against moisture ingress
- > Switched, 0-10V, Casambi, DMX, DALI or Mains dimmable drivers available

## DIMENSIONS

*Dimensions in mm*

For fixing dimensions please go to page 4.



## WHITE LED ENGINE SPECIFICATION

Engine	⊕ E3		⊙ F1	
Beam angles	12°, 19°, 34°, 54°, 15° x 49°		25°, 46°, 65°, 25° x 43°	
LED manufacturer	NICHIA		CREE	
Colour temperature*	2700K, 3000K, 4000K, 5000K		2200K, 2700K, 3000K, 4000K, 5000K	
Current	350mA	500mA	350mA	500mA
LED power (Max)	4.2 (5W**)	6 (7W**)	3.2 (3.5W**)	4.5 (5W**)
Delivered lumens (L <sub>100</sub> )	379	462	260	340
Lumens per circuit watt	76	66	74	68
CRI (Typ)	85		90	
Forward voltage (V <sub>100</sub> )	14V		9V	
Colour consistency	2SCDM		3SCDM	
Peak intensity	3626 cd		1885 cd	
LED Lumens	596		715	
LOR	0.78		0.48	
TM30	RF88	RG99	RF93	RG98
LED lifetime	L90B5 at 90,000hrs		L90B5 at 90,000hrs	
UGR***	11.1		10.6	
Applications				

This data is based on LD141X-E3-500-NB and LD141X-F1-500/MSB/LW30

\*Lumen output data applies to all E3 colour temperatures, for F1, please see lumen variance table to the right

\*\*Indicates the nominal power for the LED run at that appticular current and includes losses associated with using an 85% efficient driver

\*\*\*UGR values based on room parameter of 4H 8H, C70 W50 F20

Lumen variance by CCT	
2700K	+/- 0%
4000K	+7%
5000K	+16%

## MECHANICAL

Ambient temperature	-20° to 45° (350mA) or -20° to 35° (500mA)
Glass	6mm toughened glass with ceramic screen print (LD141X)
Materials	Black Anodised aluminium body, stainless steel bezel
Weight of product	0.25kg
IP rating	IP67
IK rating	IK08 (LD141X)
Wiring	In-series constant current wiring (pre-wired with 2-core exterior cable at a length of 250mm)

## ENVIRONMENTAL

TM65	Available on request
TM66	2.7

## AVAILABLE FINISHES

Please refer to our finishes guide for full details



### 316 STAINLESS STEEL

- > Marine grade 316 Stainless Steel
- > Standard machined finish
- > Extremely durable with high corrosion resistance
- > Passivation recommended for marine environments to prevent corrosion and build up of brown stains caused by oxidation
- > Interior & exterior use



### POLISHED & PASSIVATED 316 STAINLESS STEEL

- > Marine Grade 316 Stainless Steel
- > Pristine mirror like finish
- > Recommended for pools and marine applications
- > Extremely durable with very high corrosion resistance
- > Passivated to extensively prolong resistance to corrosion and brown stains caused by oxidation in marine environments
- > Interior & exterior use



### FLAMED SOLID BRONZE

- > Solid Bronze
- > Hand finished Flamed Bronze unique to LightGraphix
- > Extremely durable with very high corrosion resistance.
- > Please note a natural dark patination layer will form after long term exposure to the elements, the extent of this discolouration will be dependant on its location.
- > Interior & exterior use



### PAINT FINISH - POWDER COAT

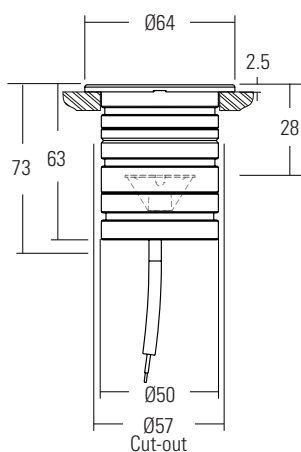
- > The powder coated finish is very matt
- > Powder coat finishes: White (RAL 9016), Black (RAL 9005), Classic Bronze (YM262E), Gunmetal Grey (RAL 7021) Textured Mars Bronze (SX350F), Textured Fir Green (RAL 6009) or any RAL colour
- > Not recommended for high traffic in-ground applications, unless placed to one side where the bezel will not be walked on
- > Powder coat paint is generally used on stainless steel or anodised aluminium components
- > Interior and exterior use

## LD141X/Y APPLICATION

In an effort to bring a modular approach to our new products, we now offer a further level of configuration to allow the same products for multiple applications. This includes bezel options and optical tilt lenses. These products will feature the suffix of LD141X for in-ground applications and LD141Y for wall/downlight applications referring to the axis of the mounting surface of the luminaire.

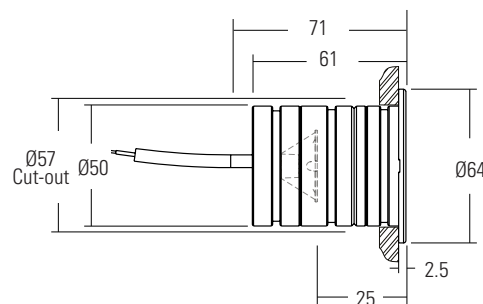
### LD141X (Uplight)

The LD141X bezel is designed for in-ground applications. The glass is glued from the front to provide the bezel with a flush glass to help prevent the build-up of dirt and dust in the aperture.



### LD141Y (Wall light)

The LD141Y bezel is designed for recessed wall applications. The glass is secured from behind with no glue line, allowing for a slightly smaller aperture and a more aesthetically pleasing luminaire. Pair the LD141Y bezel with our asymmetric tilt-lens for a great wall mounted floor washer.

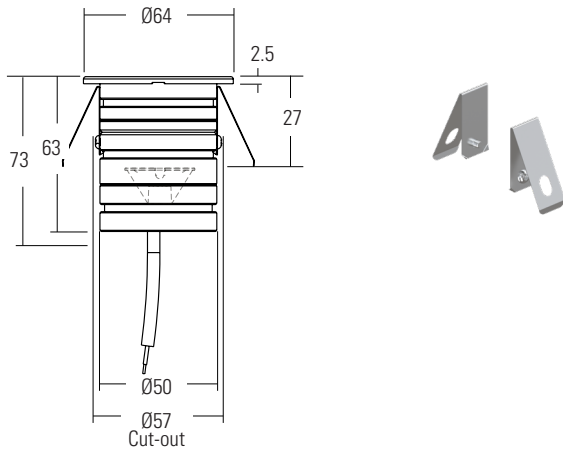


**DIMENSIONS AND FIXING ACCESSORIES**

*Dimensions in mm*

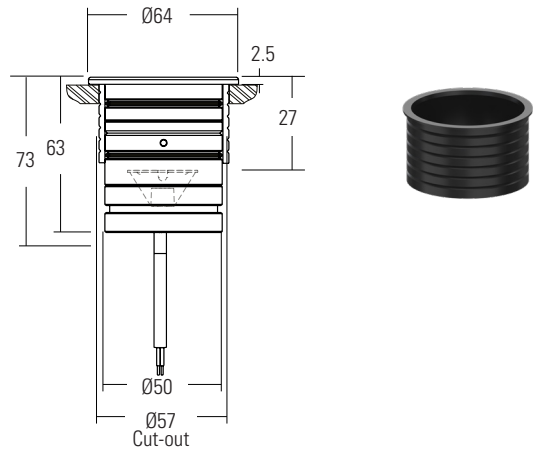
**/SC Spring clips**

Suitable for use in surfaces with a thickness of 1mm – 25mm. Spring clips provide a simple, single fix mounting method. We recommend that spring clips are only used in interior applications. Weight: 0.05kg



**/441S First Fix Sleeve**

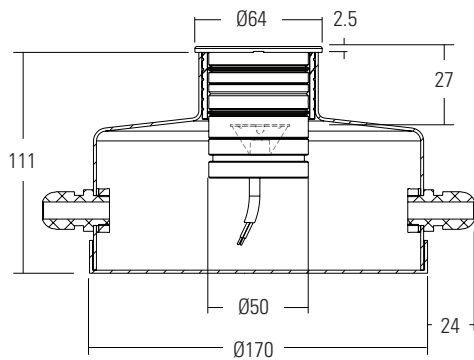
The fitting is supplied as standard with a fixing sleeve; this is bonded into the mounting surface first. The LD141 is secured into the sleeve by 2 'O' rings on the body. When pushed into the sleeve it creates a watertight seal. Weight: 0.18kg



\*Please note that the overall depth of the LD141Y is 2mm shorter than then the 63mm specified on the LD141X spring clip and first fix sleeve diagrams.

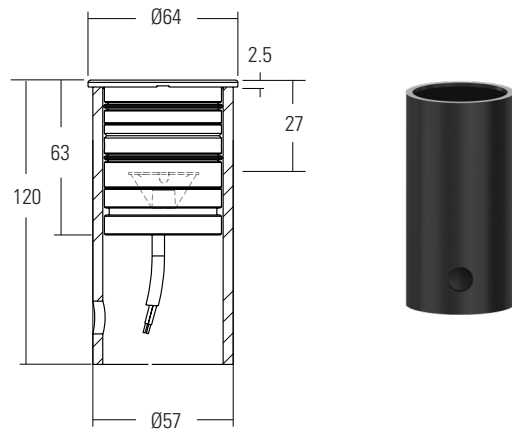
**/441N or /441N-2 Concrete housing**

The aluminium housing is used as a heat sink which keeps the LED fitting cool through the thermal transfer of the heat within the housing to the surrounding concrete. The housings are big enough for IP rated connections to be made inside the housing and a second gland is available for cabling onto the next luminaire. Weight: 2.90kg



**/441GT Ground tube**

The in-ground tube has been designed for applications where a recessed uplight is required in soil or gravel surfaces. The tube can be buried with the necessary wiring, and then the fitting installed after the landscaping work has been completed. It is supplied with the fixing sleeve bonded into the tube and can be cut down on site. Weight: 1.26kg



\*Please note that the concrete housing and ground tube can only be specified with the LD141X uplight.



**/441N**  
Concrete housing with 1x PG9 IP67 gland

**/441N-2**  
Concrete housing with 2x PG9 IP67 gland

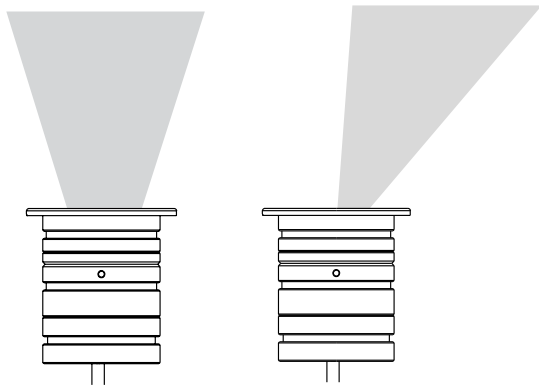
## LIGHT OUTPUT OPTIONS

### LD141X tilt lens

The addition of a 20° tilt film focuses the light towards the lit surface for a more concentrated effect. Ideal for discreet lighting applications where a throw of light is not required.

Without tilt lens

With tilt lens

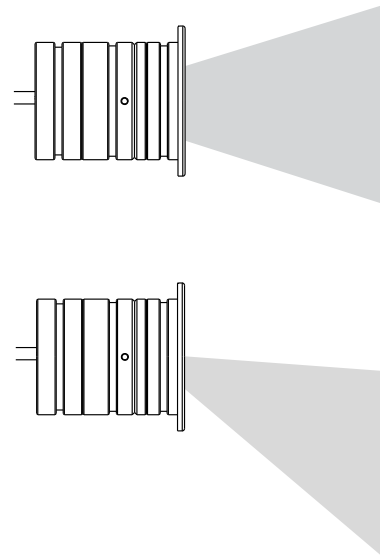


### LD141Y tilt lens

The addition of a 20° tilt film focuses the light down onto the lit surface for a more concentrated effect. Ideal for narrow stairway or corridor applications.

Without tilt lens

With tilt lens

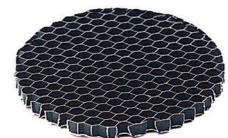
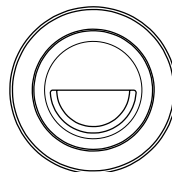
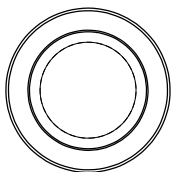
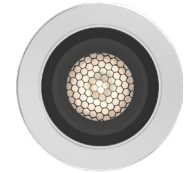
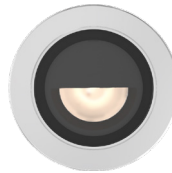


## GLARE CONTROL OPTIONS

**/NGS** No glare shield. Deep recessed optic and matt black anodised optic holder aids in glare reduction.

**/GSHM** For applications that require low glare. Lumen output is typically reduced by 60% with no light lost on the lit surface.

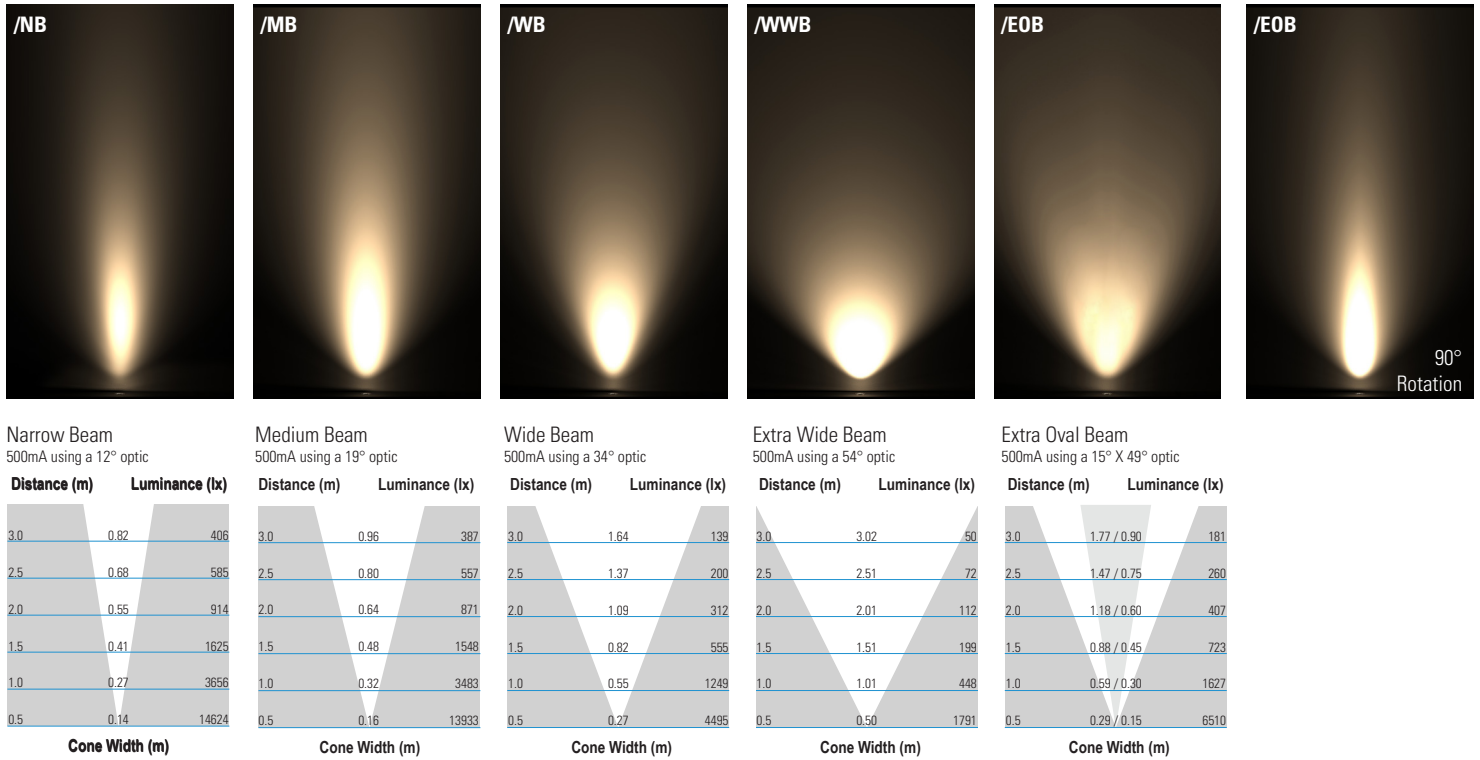
**/HL** Helps reduce glare from all angles and can be used with glare shields. The honeycomb louvre cannot be specified with the tilt lens option.



CONE DIAGRAMS

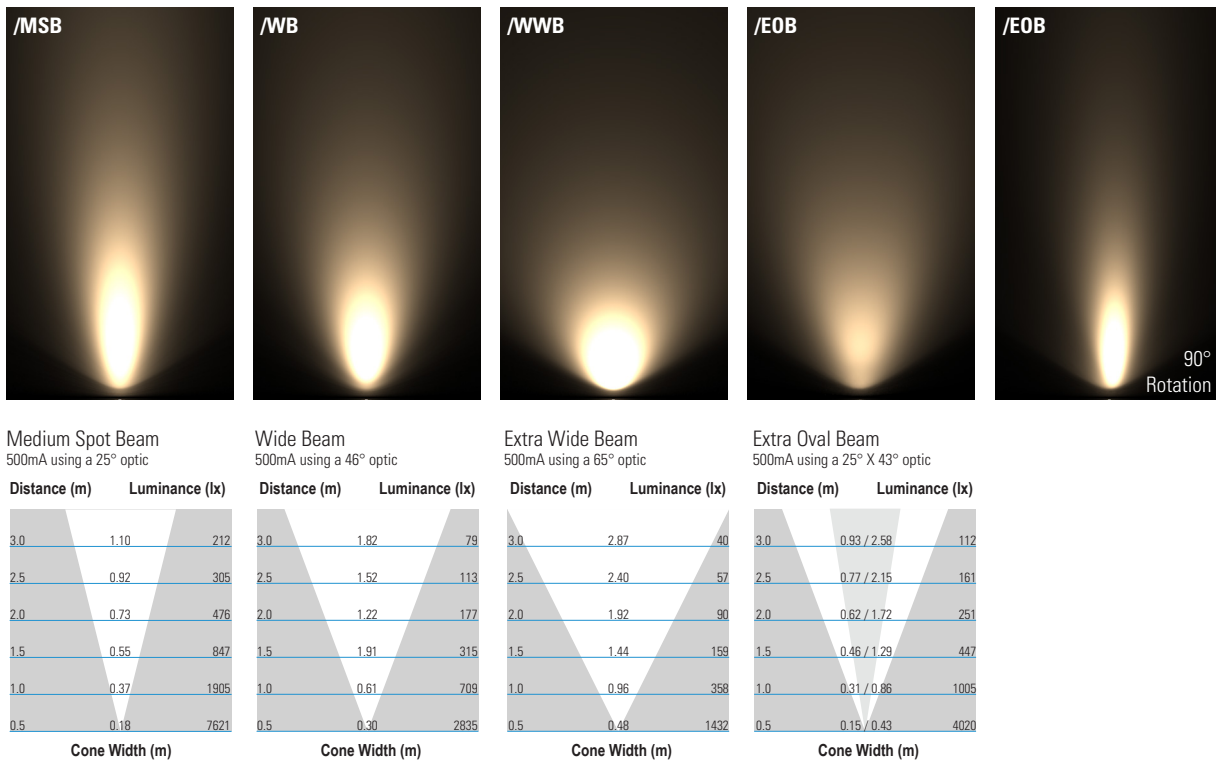
E3 LED Engine

Cone diagrams below are based on a 3000K E3 LED engine run at maximum output 500mA, 7W. Images below represents beam outputs when wall washing a 3m wall, spaced 125mm away from the lit surface. Photometric files (LDT) are included in the design pack which can be downloaded from the LD141 product page on the website.



F1 LED Engine

Cone diagrams below are based on a 3000K F1 LED engine run at maximum output 500mA, 5W. Images below represents beam outputs when wall washing a 3m wall, spaced 125mm away from the lit surface. Photometric files (LDT) are included in the design pack which can be downloaded from the LD141 product page on the website.



ORDER CODES & OPTIONS

Example: LD141X-E3-500 / LW30 / EOB / L / GSHM / 316 STAINLESS STEEL / 441S

Light engine & drive current / LED colour / Beam angle / Optical option / Glare shield / Finish / Fixing

**E3**

**LD141X (uplight)**



5W LED at 350mA	LD141X-E3-350
7W LED at 500mA	LD141X-E3-500

**LD141Y (wall light)**






5W LED at 350mA	LD141Y-E3-350
7W LED at 500mA	LD141Y-E3-500

Extra Warm White (2700K)	/LW27
Warm White (3000K)	/LW30
White (4000K) - on request	/LW40
Cool White (5000K)	/LW50

12° Narrow	/NB
19° Medium	/MB
34° Wide	/WB
54° Extra Wide	/WWB
15° x 49° Extra Oval Beam	/EOB

20° tilt	A
No tilt	L

Glare shield options:

-  /NGS
-  /GSHM
-  /HL

Finish options:

-  316 Stainless Steel
-  Polished & Passivated 316 Stainless Steel (for marine environments)
-  Flamed Solid Bronze
-  Paint Finish White (RAL 9016)
-  Paint Finish Black (RAL 9005)
-  Paint Finish Classic Bronze (YM262E)
-  Paint Finish Textured Mars Bronze (SX350F)
-  Paint Finish Textured Fir Green (RAL 6009)
-  Paint Finish Gunmetal Grey (RAL 7021)
-  Paint Finish - RAL

Fixing options:

-  /SC
-  /441S
-  /441GT (LD141X only)
-  441N (LD141X only)
-  /441N-2 (LD141X only)

**F1**

**LD141X (uplight)**



3.5W LED at 350mA	LD141X-F1-350
5W LED at 500mA	LD141X-F1-500

**LD141Y (wall light)**



3.5W LED at 350mA	LD141Y-F1-350
5W LED at 500mA	LD141Y-F1-500

Super Warm White (2200K)	/LW22
Extra Warm White (2700K)	/LW27
Warm White (3000K)	/LW30
White (4000K) - on request	/LW40
Cool White (5000K)	/LW50

25° Medium spot	/MSB
46° Wide	/WB
65° Extra wide	/WWB
25° x 43° Oval	/EOB

**Drivers**  
Use with 350mA and 500mA constant current LED drivers  
We have a range of dimmable LED drivers including DMX and DALI compatible. Please see the downloads section on our website.