

LD43G

MINIATURE TRIMLESS INTERIOR/ EXTERIOR UPLIGHT/WALL LIGHT



The LD43G is a dual-purpose, recessed, miniature LED uplight and wall light. Featuring a high-quality, seamless glass bezel, the LD43G blends perfectly into its surroundings and can be used internally or externally. As a miniature fitting, it has very minimal body depth and bezel diameter of 36mm. The LD43G produces an excellent throw of light when more output is required despite its size. It can be configured in a wide variety of beam options and angles.



KEY FEATURES

- > High-power C1 engine with NICHIA LED delivering up to 174lm
- > Miniature fitting with very minimal body depth and bezel diameter
- > Durable all glass bezel, suitable for a wide range of applications
- > Available with a 45% or 70% glare shield accessory
- > Optional 20° tilt film angles the light onto the lit surface for a more concentrated effect
- > High efficiency optics produce excellent beam spread and shape
- > LED recessed 10mm within the body for reduced glare
- > Hidden fixing options include a rebate trimless sleeve, minimalist trimmed sleeve, or plaster-in sleeve
- > Switched, 0-10V, Casambi, DMX, DALI or Mains dimmable drivers available



DIMENSIONS

Dimensions in mm

For fixing and accessory dimensions please go to page 3.



WHITE LED ENGINE SPECIFICATION

Engine	 C1	
Beam angles	12°, 31°, 48°, 12° x 36°	
LED manufacturer	NICHIA	
Colour temperature	2200K / 2700K / 3000K / 4000K / 5000K	
Current	350mA	500mA
LED power (Max)**	1.2W	1.7W
Delivered lumens (L ₁₀₀)*	103	134
Lumens per circuit watt	86	79
Forward voltage (V ₁₀₀)	3V	3.2V
CRI (Typ)	93	93
Colour consistency	2 SCDM	
Peak intensity	1057 cd	
LED Lumens	157lm	
LOR	0.84	
TM30	RF93	RG100
UGR***	18.3	
LED lifetime	L90B5 at 90,000hrs	
Applications		

This data is based on LD43G-C1-500-LW30-NB

*Lumen output data applies to all colour temperatures

** Indicates the nominal power for the LED run at that particular current and includes losses associated with using an 85% efficient driver

***UGR values based on room parameters of 4H 8H, C70 W50 F20

LD43A and LD43W lumen output will be 40% less due to the glare shield - LD43R lumen output will be 77% less - LD43AR lumen output will be 73% less

MECHANICAL

Ambient temperature	-20° to 45° (350mA) or -20° to 35° (500mA)
Glass	3mm thick borosilicate glass with ceramic screen print
Materials	Black anodised aluminium body with black anodised bezel and glass front
IP rating	IP66
Wiring	In-series constant current wiring (pre-wired with 2 x single core cable at a length of 150mm*)

*Extendable cables available up to 2M. For longer cables see the LD44G

ENVIRONMENTAL

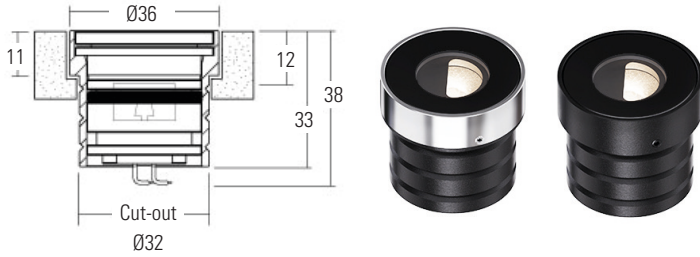
TM65	Available on request
TM66	2.7

DIMENSIONS AND FIXING ACCESSORIES

Dimensions in mm

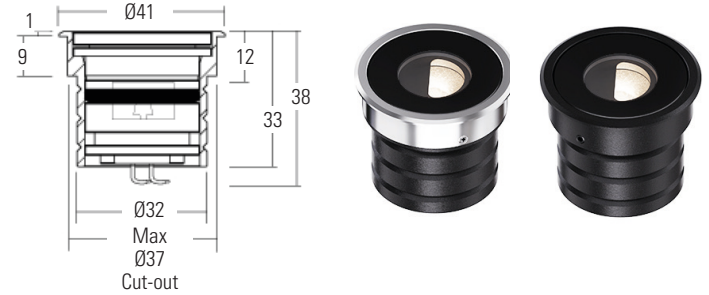
/480SG Rebate trimless fixing sleeve and O-Ring

A robust and water tight method of fixing, for in ground applications. Mounting surface will require an 11mm rebate to allow for flush installation. Fixing ring available with a passivated stainless steel or powder coat black finish.*



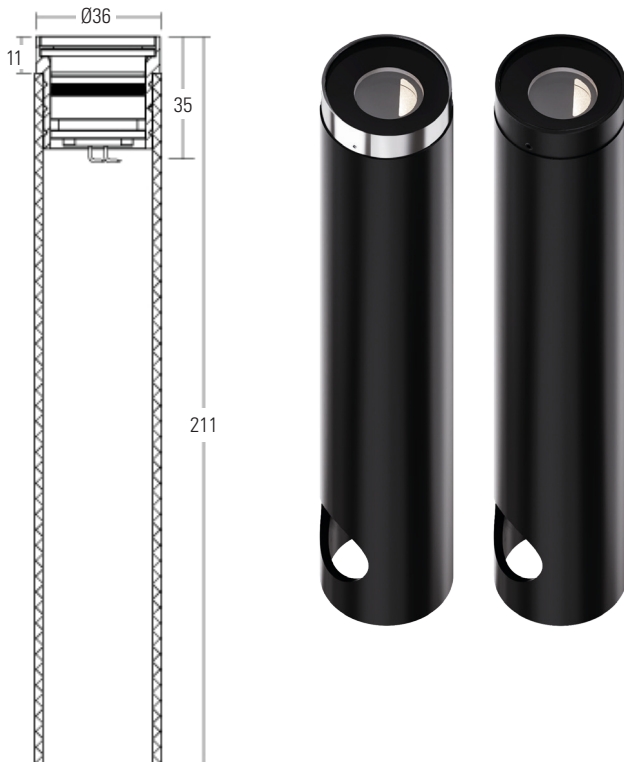
/480TRG Minimalist Trimmed Sleeve and O-Ring

A robust and water tight method of fixing, with trimmed edge bezel for easy installation due to no rebate being required. Fixing ring available with a passivated stainless steel or powder coat black finish.*



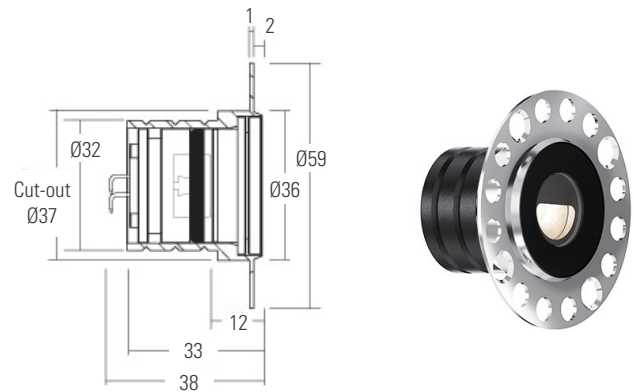
/480GTG Ground tube

The in-ground tube has been designed for applications where a recessed uplighter is required in soil or gravel terrain, and can also be used in concrete. The tube can be buried with the necessary wiring, and then the fitting installed after the landscaping work has been completed. It is supplied with the fixing sleeve bonded into the tube, and can be cut down on site. Fixing ring available with a passivated stainless steel or powder coat black finish.*



/480PSG Plaster in Sleeve

For plaster in applications such as walls or ceilings.



*NOTE: Powder coat black paint finish is not suitable for high-traffic areas.

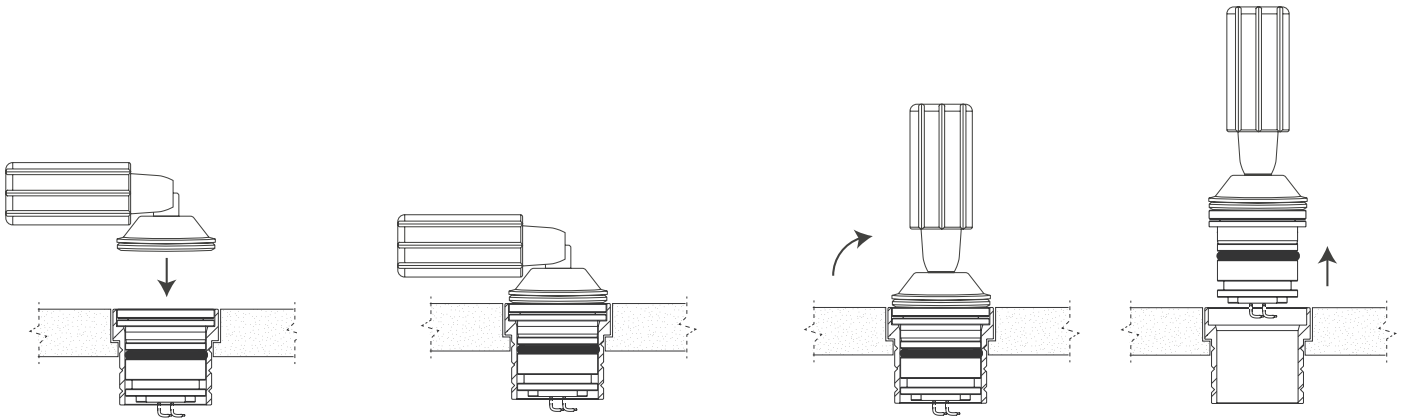
/HT-44-G Trimless Family Hand tool

We supply our Trimless family fittings with a hand tool for easy installation and removal. Use the /HT-44-G suction cup or a similar suction tool for the removal of the fittings from their fixing options. Please contact your LightGraphix sales representative for more information.



How to use the hand tool

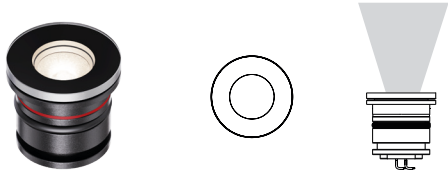
- 1** Set tool to a 90° angle.
- 2** Press tool firmly onto glass.
- 3** Tilt handle up to create suction, and pull directly upwards to remove fitting.
Note: Do not twist during removal as this could damage the bezel.



GLARE CONTROL AND LIGHT OUTPUT OPTIONS

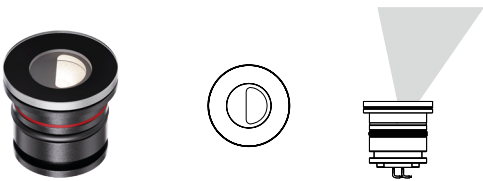
LD43G

Circular aperture with lens and LED assembly recessed into the body by 10mm.



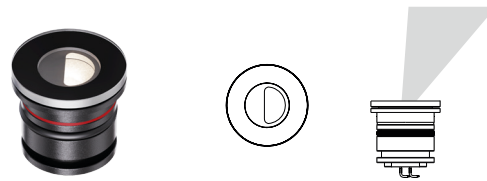
LD43G with GS45

Addition of a half-moon glare shield in front of the lens to further reduce glare. Please note that the Oval beam cannot be used with GS45.



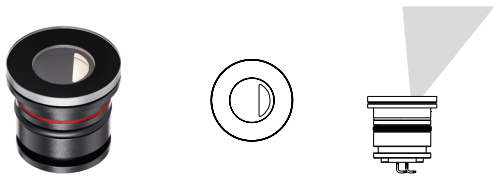
LD43G with Tilt lens and GS45*

Features a half-moon glare shield, but with the addition of an integral 20° tilt film which angles the light towards the lit surface. Please note that the Oval beam cannot be used with a Tilt lens and GS45.



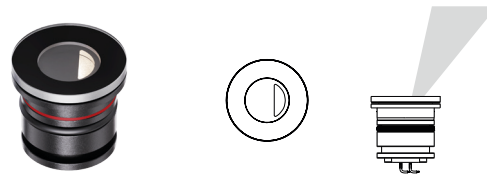
LD43G with GS70

Features a 70% glare shield for applications that require minimal output and glare. Please note that the Oval beam cannot be used with the GS70.



LD43G with Tilt lens and GS70*

Features a 70% glare shield, but with the addition of an integral 20° tilt film which angles the light towards the lit surface. Please note this option is only available in a Narrow beam.



***NOTE:** LightGraphix recommends always adding a glare shield when the tilt lens is used.

ORDER CODES & OPTIONS








Example: LD43G-C1-500 / LW30 / MB / A / GS45 / 480SG / Passivated Stainless Steel

Light Engine & Drive Current / LED Colour / Beam Angle / Optical option / Glare shield / Fixing / Fixing Finish*

/ / / / / /

*Not available on 480PSG

 C1

1.2W LED at 350mA	LD43G-C1-350	Super Warm White (2200K)	/LW22	12° Narrow	/NB	20° tilt	A			<div style="background-color: #cccccc; padding: 5px;">Passivated Stainless Steel</div> <div style="background-color: #333333; padding: 5px;">Paint finish Black (Powder Coat)</div>
1.7W LED at 500mA	LD43G-C1-500	Extra Warm White (2700K)	/LW27	31° Medium	/MB	No tilt	L			
		Warm White (3000K)	/LW30	48° Wide	/WB					
		White (4000K) - on request	/LW40	12° x 36° Oval	/OB					
		Cool White (5000K)	/LW50							

/NGS
 /GS45 (not applicable with Oval beam)
 /GS70 (Not applicable with Oval beam. When using Tilt lens, only Narrow beam can be specified)
 /480SG
 /480TRG
 /480GT
 /480PSG

Drivers

Use with 350mA & 500mA constant current LED drivers
 We have a range of dimmable LED drivers including DMX and DALI compatible. Please see the downloads section on our website.