

LD234
COMPACT SURFACE MOUNTED
ADJUSTABLE WINDOW REVEAL



R+R



The LD234 is the LightGraphix solution for window reveal lighting, embodying our Product DNA in terms of glare control, superior beam quality, versatile mounting options and adaptability. As experts in exterior façade lighting, the LD234 was designed and engineered in-house with input from architects and lighting designers to eliminate common frustrations associated with lighting window reveals.

With three beam angles, multiple contractor-friendly power options, and our advanced E3 engine, the LD234 delivers up to 140 lumens whilst maintaining consistent colour temperatures and colour over angle. Its in-house developed Dual Optic system provides a greater than 180° visible beam spread, minimising glare and creating the perfect lit effect.

A machined aluminium body and IP65 rating ensure durability for indoor and outdoor use. Its versatile mounting options include a standard direct mount fixing with integrated tilt screws, to compensate for surface imperfections and sill angles up to 16°. Additional mounting options include adjustable and lockable brackets for surface, wall, or corner mounting. The LD234 flat top design supports levelling equipment, enabling you to record the installed angle, share it with contractors, and minimise the need to return to site to re-focus the project.



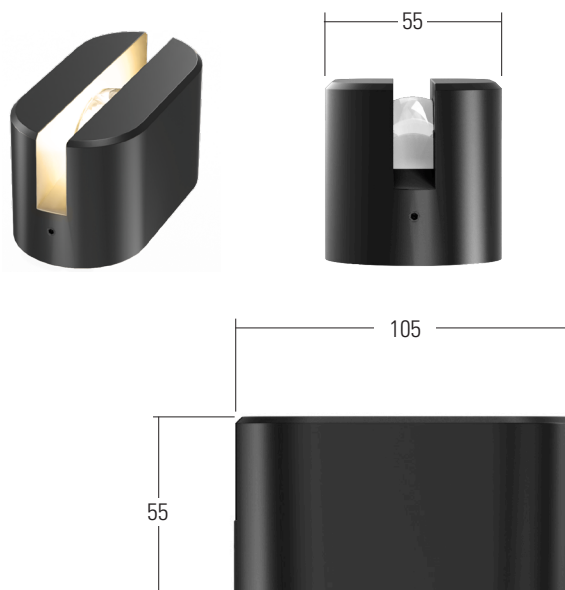
KEY FEATURES

- > Highly versatile with a wide range of mounting options to suit all project types and installation requirements
- > Industry-leading output with three constant current, three 24V options and three different beam angles: ENB (5°x210°), NB (7°x210°) and MB (19°x210°)
- > Available in colour temperatures: 2200K, 2700K, 3000K, 4000K, 5000K
- > LightGraphix in-house developed, built-in Dual Optic system for creating unrivalled soft edge beam quality (NB and MB)
- > Designed for low-glare illumination, when viewed from outside and inside the building
- > IP65 rated
- > High quality machined aluminium metal parts
- > Wide range of standard exterior (including coastal) rated finishes and custom RALs available to enable colour matching of all project and architectural styles
- > Product compatible with our R+R (Repair & Refurbish) initiative
- > Switched, 0-10V, Casambi, DMX, DALI or Mains dimmable drivers/controllers available



DIMENSIONS

Dimensions in mm

For full dimensions please go to page 3.



WHITE LED ENGINE SPECIFICATION

Engine	⊕ E3			⊕ E3-24V		
Beam angles	5° x 210°, 7° x 210°, 19° x 210°					
LED manufacturer	NICHIA					
Colour temperature*	2200K, 2700K, 3000K, 4000K, 5000K					
Current [Rated Output]	350mA [5W]	500mA [7W]	700mA [10W]	24V 5W	24V 7W	24V 10W
Typical LED Circuit wattage	4.4W	6.4W	9.2W	4.4W	6.4W	9.2W
Delivered lumens (L ₁₀₀)*	86	109	140	86	109	140
Delivered lm/Circuit W**	20	17	15	20	17	15
Typical LED Source wattage	4W	5.8W	8.3W	4W	5.8W	8.3W
Source LED lm	574	740	949	574	740	949
Source lm/W	144	128	114	144	128	114
Forward voltage (V ₁₀₀)	11.4V	11.6V	11.8V	24V constant voltage		
CRI	85					
Colour consistency	2SCDM					
Peak intensity	532.8 cd					
LOR	0.15					
TM30	RF85 RG98					
BUG rating ('downlight' mounted)	B0-U2-G1					
LED lifetime	L90B5 at 90,000hrs					
Applications	 					

This data is based on LD234-E3-700/2700K/NB


*Lumen output data applies to all E3 colour temperatures

**LED wattage includes losses associated with using a 90% efficient driver

MECHANICAL

Ambient temperature	E3	-20°C to 50°C (350-500mA) or -20°C to 35°C (700mA).
	E3-24V	-20°C to 35°C (24V)
Materials	Aluminium 6026, Polycarbonate optic	
Weight of product	575g	
IP rating	IP65	
IK rating	IK08	
Wiring	External 2 core cable 1000mm	

ENVIRONMENTAL

TM65	Available on request	
TM66	2.5	
Repair + Refurbish		This product is included in our Repair and Refurbish scheme. This offers customers the ability to send back products to us for repair or refurbishment to extend their life without having to buy new fittings.

AVAILABLE FINISHES

Please refer to our finishes guide for full details

The LD234 body is machined from aluminium and painted in-house at LightGraphix. Paint finishes are suitable for interior and exterior use on surface mounted products. Our standard colours are below, and we can accommodate any RAL request. Please view our full finishes guide online for more information.

WET SPRAY



BLACK
(RAL 9005)



WHITE
(RAL 9016)



SILVER ANODISED



ANTIQUE BRONZE



ANTIQUE WHITE
(RAL 9001)



SATIN ANTIQUE BRASS



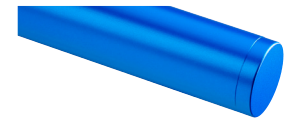
SATIN BRASS



ANTHRACITE GREY
(RAL 7016)



TEXTURED FIR GREEN
(RAL 6009)



RAL COLOURS

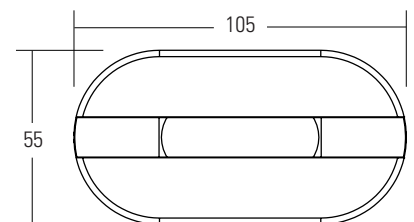
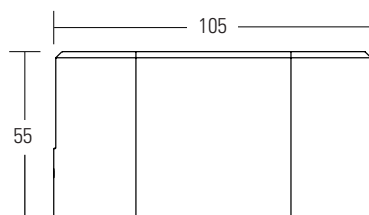
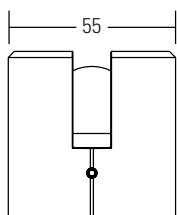
POWDER COAT



TEXTURED MARS BRONZE

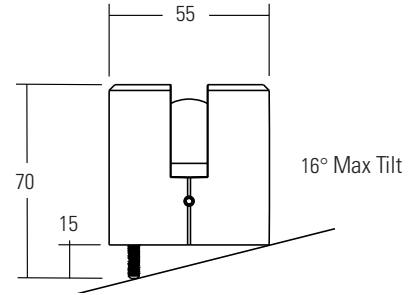
DIMENSIONS & MOUNTING OPTIONS

The LD234 has been designed with a range of mounting options to cover all installation requirements and structures, whilst keeping the lit effect consistent throughout. Fixing accessories can be specified in advance or ordered and fitted later depending on on-site details identified during installation. The product's flat top profile allows levelling equipment to be used ensuring all lights are set at the correct angle.



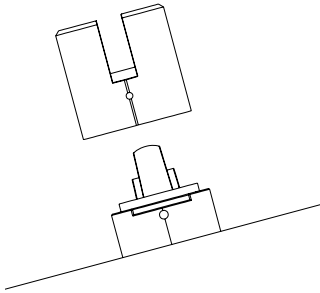
/DM Direct mount standard fixing and tilt screws

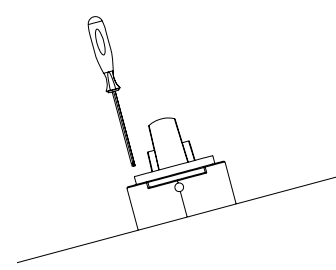
The LD234 direct mount has built-in tilt adjustment as standard. Utilising the 4 discreet tilt screws (one in each corner of the body) the product can be adjusted for level on uneven surfaces and set at a tilt from 0-16° on-site.

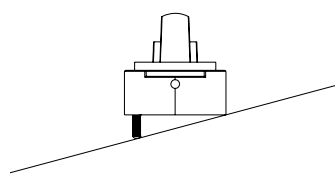


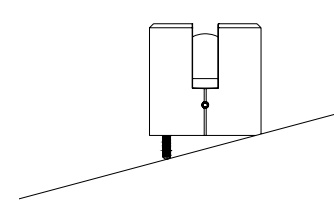
HOW TO USE THE DIRECT MOUNT STANDARD FIXING AND TILT SCREWS

- 1** Remove outer case by loosening locking screws located at both ends of the fitting using a 2mm Hex tool


- 2** Adjust angle/level of fitting by extending the integrated set screws located in each corner of the base unit/direct mount using a 2mm Hex tool


- 3** Temporarily replace outer case, check level, remove outer case, and fix direct mount onto desired surface using screws or similar (not supplied)

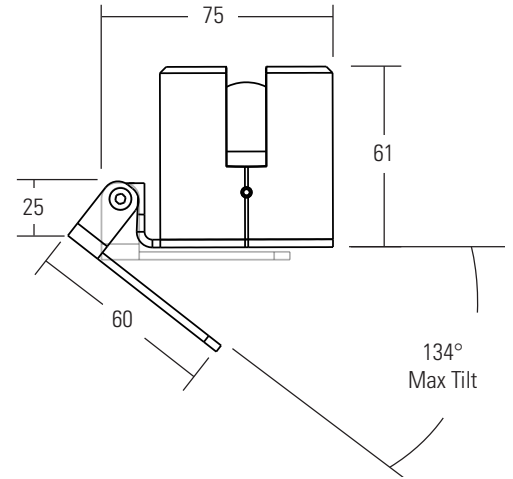

- 4** Replace cover, check angle/level, and tighten locking screws in outer case using a 2mm Hex tool





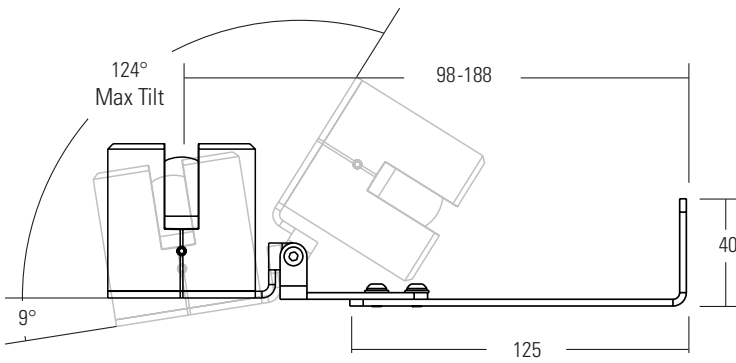
/ABM Adjustable bracket mount

Designed for windowsills with greater than 16° angle, this allows the product to be adjusted and locked quickly on-site. It offers great flexibility with a wider degree of adjustability.



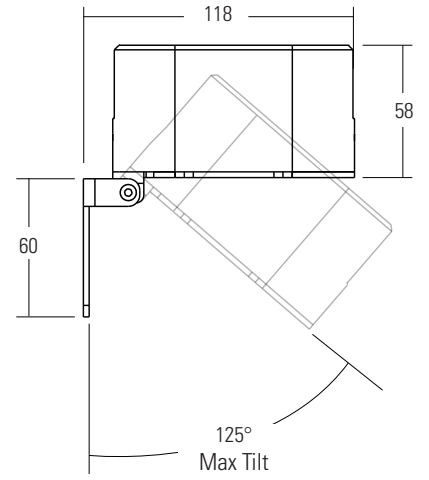
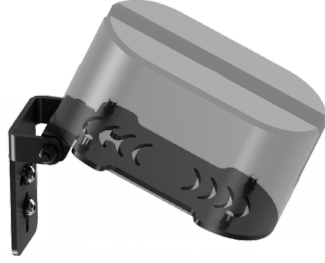
/AWB Adjustable wall bracket

Designed for applications that require no fixings into the windowsill but are fixed to the window frame instead. This also has additional adjustment for the distance from the mounting surface to the product, allowing the light to be centred into the window reveal or focused further to the edge of the reveal if required.



/ACM Adjustable Corner Mount

This adjustable fixing allows the LD234 to be placed in the corner of a window reveal, mounting to either vertical or horizontal surfaces. The fixing can be tilted to the desired angle and locked in place.



CONE DIAGRAMS

E3 LED Engine

Cone diagrams below are based on an 3000K E3 LED engine run at maximum output 700mA constant current or 24v 10W. Photometric files (LDT) are included in the design pack which can be downloaded from the LD234 product page on the website.

Extra Narrow Beam 5° x 210° optic

Distance (m)	Luminance (lx)	
3.0	0.20	52
2.5	0.17	74
2.0	0.13	116
1.5	0.10	207
1.0	0.07	465
0.5	0.03	1862

Cone Width (m)

Narrow Beam 7° x 210° optic

Distance (m)	Luminance (lx)	
3.0	0.31	50
2.5	0.26	72
2.0	0.21	113
1.5	0.16	201
1.0	0.10	451
0.5	0.05	1805

Cone Width (m)

Medium Beam 19° x 210° optic

Distance (m)	Luminance (lx)	
3.0	0.88	19
2.5	0.74	27
2.0	0.58	43
1.5	0.41	76
1.0	0.29	171
0.5	0.15	685

Cone Width (m)



ORDER CODES & OPTIONS

Example: LD234-E3-700 / LW30 / MB / Wet Spray Black / AWB

Light engine & drive current / LED Colour / Beam Angle / Finish / Fixing

LD234- / / / / /

E3




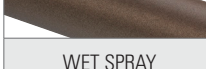
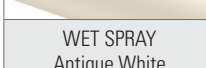
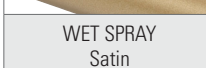
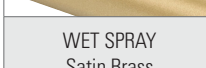



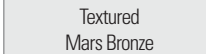
5W LED at 350mA*	LD234-E3-350
7W LED at 500mA*	LD234-E3-500
10W LED at 700mA*	LD234-E3-700

E3-24V

5W LED 24V supply**	LD234-E3-24V-5W
7W LED 24V supply**	LD234-E3-24V-7W
10W LED 24V supply**	LD234-E3-24V-10W

Super Warm White (2200K)	/LW22
Extra Warm White (2700K)	/LW27
Warm White (3000K)	/LW30
White (4000K) on request	/LW40
Cool White (5000K)	/LW50

5° x 210° Extra Narrow	/ENB
7° x 210° Narrow	/NB
9° x 210° Medium	/MB

	WET SPRAY Black (RAL 9005)
	WET SPRAY White (RAL 9016)
	WET SPRAY Silver Anodised
	WET SPRAY Antique Bronze
	WET SPRAY Antique White (RAL 9001)
	WET SPRAY Satin Antique Brass
	WET SPRAY Satin Brass
	WET SPRAY Anthracite Grey (RAL 7016)
	WET SPRAY Textured Fir Green (RAL 6009)
	WET SPRAY RAL Colours
	POWDER COAT Textured Mars Bronze

	/DM
	/ABM
	/AWB
	/ACM

Drivers

* Use with 350mA, 500mA & 700mA constant current LED drivers
 ** 24V constant voltage LED Drivers and Controllers
 We have a range of dimmable LED drivers DMX and DALI compatible. Please see the downloads section on our website.