

Ground Fixing Tubes

First Fix In-ground Mounting Tubes

Data sheet - Page 1

The in-ground tubes have been designed for applications where a recessed uplight is required in soil or gravel surfaces. The tube can be buried with the necessary wiring, and then the fitting installed after the landscaping work has been completed.

Key Features

- Ideal for use in soil or gravel, where a recessed uplight is required
- Supplied with fixing sleeve bonded into tube
- Manufactured from PVC or polycarbonate for high chemical and environmental resistance .
- Can be cut down on site (cable will need to come up from underneath)
- IP rated connection required inside tube or specify longer cables for remote connection

How to specify

To specify the in-ground tubes, add the relevant code to the end of your specification. The fixing sleeve is supplied bonded into the tube.

Example:

LD41-350 / LWW / NB / Stainless steel / 480GT

LD56-700 / LWW / MB / Stainless steel / GS56 / 476GT

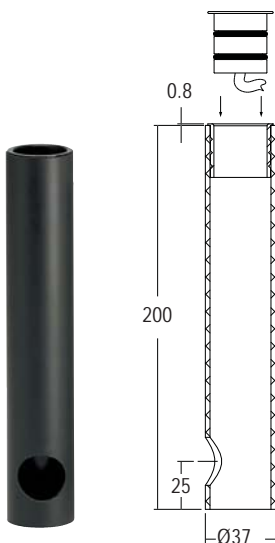
LD151-500 / LWW / 10 / Stainless steel / 484GT

Order codes and Dimensions

/480GT

For use with any fitting that uses the /480 sleeve
eg. LD41, LD43, LD60, LD61, LD62, LD64 & LD65

Outer Diameter: 36.6mm, Length: 200mm

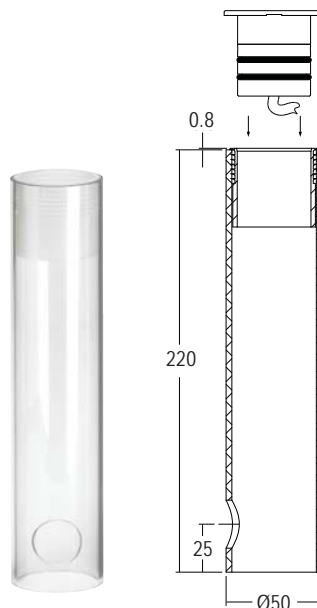


/476GT

For use with any fitting that uses the /476 sleeve
eg. LD56, LD56T & LD56 RGB

Outer Diameter: 50mm

Length: 220mm



/484GT

For use with any fitting that uses the 484S sleeve
eg. LD151

Outer Diameter: 83.3mm

Length: 300mm

