

## LD150-E3

In-Ground LED Uplighter

Install sheet - Page 1

### SPECIFICATION

LED recessed luminaires are class III for Safety Extra Low Voltage supply **350mA** to **700mA** constant current supply.

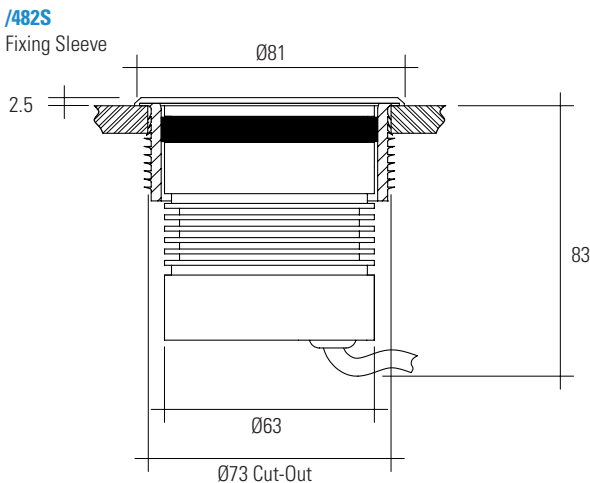
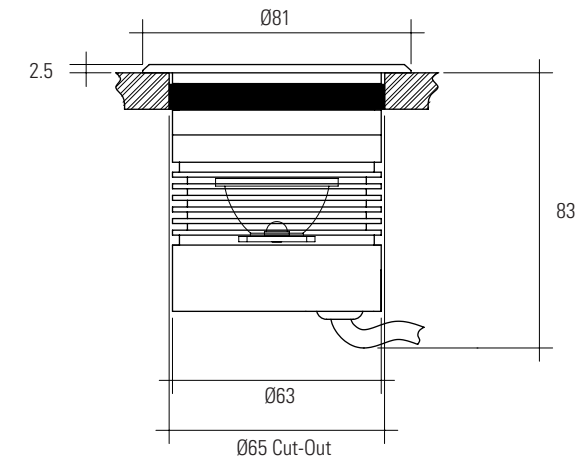
**Suitable for mounting on normally flammable surfaces.**

Lamp: **E3 LED Engine.**

This fitting is **IP54** rated.

Lumen Maintenance: L90B5 at 90,000hrs.

LD150 - E3	
Product & LED Output Code	Power Output
LD150-E3 - 350	350mA 5W
LD150-E3 - 500	500mA 7W
LD150-E3 - 700	700mA 10W



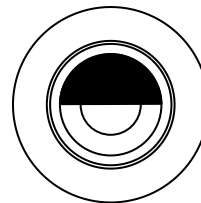
### INSTALLATION

1. Bore clearance holes to suit dimensions below.
2. Wire the luminaire to a specified driver.  
NOTE: Connections in wet environments. Make IP68 connection to stop water travelling up the cables into the fittings! Refer to IP connection sheet for further details.
3. Install fitting by pushing into the hole, the foam seal is a good fit so get one side of the seal in the hole and then pull the fitting towards that edge so that you can push in the opposite side. Repeat on each edge.
4. Once installed rotate the fitting using a grippy pair of gloves and push down, this will allow the fitting to sit flush, then orientate it within the hole. Please refer to the diagram below for the details about the correct orientation for the luminaire.

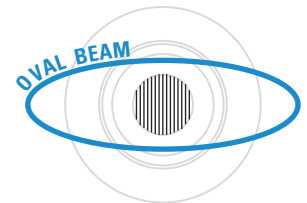
#### /482S - Fixing Sleeve

1. Bore clearance hole to suit dimensions below.
2. Push in first fix sleeve /482S into cut out.
3. Pull through cables and wire luminaire to specified driver.  
NOTE: Connections in wet environments. Make IP68 connection to stop water travelling up the cables into the fittings! Refer to IP connection sheet for further details.
4. Install fitting by pushing into the hole, the foam seal is a good fit so get one side of the seal in the hole and then pull the fitting towards that edge so that you can push in the opposite side. Repeat on each edge.
5. Once installed rotate the fitting using a grippy pair of gloves and push down, this

**/GS**  
Glare Shield



**/OB**  
Oval Beam Orientation



Wall/Lit Surface

### SEE CONSTANT CURRENT WIRING SHEET FOR IN SERIES WIRING DIAGRAM

#### WIRING

Do not power up until fitting is wired correctly! Constant current LEDs must be wired in series, polarity is critical. Please refer to specified driver sheet for details on the minimum and maximum number of LEDs per circuit.

#### IMPORTANT

Make sure that all cables and connections are securely connected before switching on the power. Do not switch on the power source prior to making these connections as this will result in the LEDs being overvolted, which can lead to failure of the LEDs and/or the driver. If the LEDs do not work upon power up, turn off the power source immediately and check the polarity of the wiring.

#### MAINTENANCE

**CABLE:** The external flexible cable shall only be replaced by the manufacturer if the cable is damaged.  
**LAMPS:** The light source contained in this luminaire shall only be replaced by the manufacturer. Please clean with soft cloth and avoid harsh cleaning chemicals.

CORE COLOUR & POLARITY		
Colour of Cable	Red	Black
Materials	+	-

## LD150-E3 / 482N OR 482N-2

In-Ground LED Uplighter



Install sheet - Page 2

### SPECIFICATION

LED recessed luminaires are class III for Safety Extra Low Voltage supply **350mA** to **700mA** constant current supply.

**Suitable for mounting on normally flammable surfaces.**

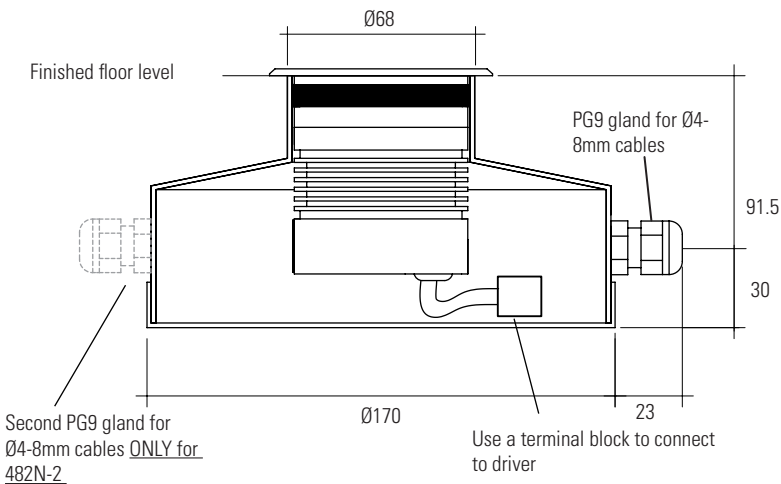
Lamp: **E3 LED Engine.**

This fitting is **IP54** rated.

Lumen Maintenance: L90B5 at 90,000hrs.

LD150 - E3	
Product & LED Output Code	Power Output
LD150-E3 - 350	350mA 5W
LD150-E3 - 500	500mA 7W
LD150-E3 - 700	700mA 10W

**/482N or /482N-2**  
Concrete Housing



### INSTALLATION

1. Remove luminaire from concrete housing.
2. Place housing in desired location and the feed power cable through the gland and tighten. Allow enough excess cable for the connection required to the fitting, and to allow for the fitting to be removed from its housing.
3. These cans are designed to be used primarily within concrete. Make sure not to go above finished floor level. They can be used in areas with loose / soft substrate but they must only be used within concrete for load bearing applications. Failure to do so, will cause structural and IP failure.
4. Connect luminaire to the specified driver.  
**NOTE: Connections in wet environments. Make IP68 connection to stop water travelling up the cables into the fittings! Refer to IP connection sheet for further details.**
5. Make sure the inside of the concrete housing is free from dirt.
6. Install fitting by pushing into the hole, the foam seal is a good fit so get one side of the seal in the hole and then pull the fitting towards that edge so that you can push in the opposite side. Repeat on each edge.
7. Once installed rotate the fitting using a grippy pair of gloves and push down, this will allow the fitting to sit flush, then orientate it within the hole. Please refer to the

## LD150-E3 / 482N OR 482N-2 /ID

In-Ground LED Uplighter



Install sheet - Page 3

### SPECIFICATION

LED recessed luminaires are class III for Safety Extra Low Voltage supply **350mA** or **500mA** constant current supply.

**Suitable for mounting on normally flammable surfaces.**

Lamp: **E3 LED Engine.**

This fitting is **IP54** rated.

Lumen Maintenance: L90B5 at 90,000hrs.

LD150 - E3	
Product & LED Output Code	Power Output
LD150-E3 - 350	350mA 5W
LD150-E3 - 500	500mA 7W

### INSTALLATION

1. Remove luminaire from concrete housing.
2. Place housing in desired location and the feed power cable through the gland and tighten. Allow enough excess cable for the connection required to the fitting, and to allow for the fitting to be removed from its housing.
3. These cans are designed to be used primarily within concrete. Make sure not to go above finished floor level. They can be used in areas with loose / soft substrate but they must only be used within concrete for load bearing applications. Failure to do so, will cause structural and IP failure.
4. Connect luminaire to the specified driver.
 

**NOTE: Connections in wet environments. Make IP68 connection to stop water travelling up the cables into the fittings! Refer to IP connection sheet for further details.**
5. Make sure the inside of the concrete housing is free from dirt.
6. Install fitting by pushing into the hole, the foam seal is a good fit so get one side of the seal in the hole and then pull the fitting towards that edge so that you can push in the opposite side. Repeat on each edge.
7. Once installed rotate the fitting using a grippy pair of gloves and push down, this will allow the fitting to sit flush, then orientate it within the hole. Please refer to the diagram below for the details about the correct orientation for the luminaire.

**/482N /ID or /482N-2 /ID**  
Concrete Housing

