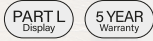


## LD151


### HIGH-POWER INTERIOR/EXTERIOR LED UPLIGHT



The LD151 is a powerful uplight with a compact size and depth, designed specifically to produce low glare illumination onto interior and exterior walls and columns. It can be specified with a wide range of options allowing it to suit most project requirements. Available LED engines include E3, Tunable White, RGBW and F1 which offer a range of colour temperatures between 2200K-5000K and beam angles, with multiple accessories and bezel finishes to choose from. The bezel aesthetic is minimal featuring black trim glass and no visible fixings. This is a very tough, high quality fitting, machined from high grade materials, ensuring excellent thermal and light output performance.

Design: DPA Lighting  
Project: The Langley Hotel, Buckinghamshire, UK  
Product: LD151

## KEY FEATURES

- > E3 engine option with NICHIA LED, delivering up to 647 lumens and built-in reverse polarity protection
- > F1 COB, Tunable White, CLR, RGBW, 2nd channel LEDs also available
- > Straight edged bezel available in 316 Stainless Steel, Polished & Passivated 316 Stainless Steel, Machined Brass, Flamed Solid Bronze and paint finishes
- > Multiple optic options for lighting columns, arches or wall washing in interior and exterior applications, rated IP67
- > Choice of glare shields to minimise the view of the intense light source without affecting the wash of light on the wall/column
- > Single light source and optic produces a very consistent beam with no multiple shadows and 2-step binning
- > LED and lens are recessed in a matt black anodised body for reduced glare
- > Toughened glass with a ceramic black trim
- > Fitting rated IK08
- > Hidden fixing options include first fix sleeve, ground tube and concrete housing
- >  Contains our integral moisture guard (anti-wicking barrier), stopping water ingress from going up the cable into the product from incorrect IP-rated connections
- > Switched, 0-10V, Casambi, DMX, DALI or Mains dimmable drivers available

## DIMENSIONS

Dimensions in mm

For full dimensions please go to page 4.



## WHITE LED ENGINE SPECIFICATION

Engine	⊕ E3			⊙ F1		
Beam angles	12°, 18°, 31°, 55°, 14° x 48°			25°, 35°, 52°, 17° x 48°		
LED manufacturer	NICHIA			CREE		
Colour temperature*	2700K, 3000K, 4000K, 5000K			2200K, 2700K, 3000K, 4000K, 5000K		
Current [Rated Output]	350mA [5W]	500mA [7W]	700mA [10W]	350mA [3.5W]	500mA [5W]	700mA [7W]
Typical LED Circuit wattage	4.4W	6.4W	9.2W	3.3W	5W	7.2W
Delivered lumens (L <sub>100</sub> )*	363	477	647	211	272	348
Delivered lm/Circuit W**	82	74	70	63	54	48
Typical LED Source wattage	4W	5.8W	8.3W	3W	4.5W	6.5W
Source LED lm	574	740	949	377	497	654
Source lm/W	144	128	114	126	110	101
Forward voltage (V <sub>100</sub> )	11.3V	11.6V	11.8V	8.7V	9V	9.3V
CRI	85			90		
Colour consistency	2SCDM			3SCDM		
Peak intensity**	4,346 cd			1,664 cd		
LOR	0.68			0.53		
TM30	RF93   RG101			RF90   RG103		
UGR rating ('downlight' mounted) ***	6.1	7.1	8	7.4	8.3	9.1
BUG rating ('downlight' mounted)	B0-U3-G0	B0-U3-G0	B0-U4-G0	B0-U3-G0		
LED lifetime	L90B5 at 90,000hrs			L90B5 at 90,000hrs		
Applications						

These values are based around a LD151-E3-700-LW30-NB & LD151-F1-700-LW22-MSB

\*Lumen output data applies to all colour temperatures

\*\*LED wattage includes losses associated with using a 90% efficient driver

\*\*\*UGR values based on room parameters of 4H 8H, C70 W50 F20





## MECHANICAL

Ambient temperature	E3	-20° to 50° (350mA-500mA) or -20° to 25° (700mA) in soil OR -20° to 50° (350mA-700mA) in concrete
	F1	-20° to 50° (350mA-700mA) in soil OR -20° to 50° (350mA-700mA) in concrete
Glass	6mm thick toughened glass with black ceramic screen print	
Materials	Stainless steel bezel, anodised aluminium body	
Weight of product	0.52kg	
IP rating	IP67	
IK rating	IK08	
Wiring	In-series constant current wiring (pre-wired with 2 core cable at a length of 250mm)	

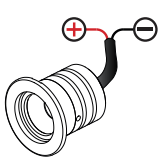
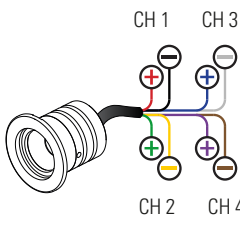
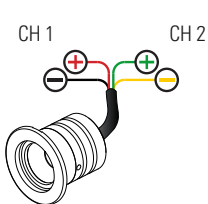
## ENVIRONMENTAL

TM65	Available on request
TM66	2.7
Repair + Refurbish	<p>This product is included in our Repair and Refurbish scheme. This offers customers the ability to send back products to us for repair or refurbishment to extend their life without having to buy new fittings.</p>

## COLOUR & DYNAMIC LED ENGINE SPECIFICATION

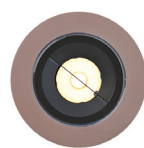
Engine	 CLR - Colour	 RGBW	 TW - Tunable White
Beam Angles	24°, 38°, 54°, 20° x 46°	38° colour mix lens	
LED manufacturer	CREE	CREE	
Colour temperature	Red, Green, Blue, Amber	Red, Green, Blue, 4000K White	
Current	500mA	350mA	500mA
LED power (Max)	7W	3.5W	5W
Applications			
			Warm White 2700K or 3000K
			Cool White 4000K or 5000K
			500mA
			6.3W (7W) 3.5W per channel

## MECHANICAL

Glass	6mm thick toughened glass with black ceramic screen print		
Materials	Stainless steel bezel, anodised aluminium body		
Weight of product	0.52kg		
IP rating	IP67		
IK rating	IK08		
Wiring	<b>CLR</b> - 2 core cables at 250mm in length 	<b>RGBW</b> - 8 core cables at 250mm in length 	<b>TW</b> - 4 core cables at 250mm in length 

## AVAILABLE FINISHES

Please refer to our finishes guide for full details



### 316 STAINLESS STEEL

- > Marine grade 316 Steel
- > Standard machined finish
- > Extremely durable with very high corrosion resistance
- > Passivation recommended for marine environments to prevent corrosion and build up of brown stains caused by oxidation
- > Interior & exterior use

### POLISHED & PASSIVATED 316 STAINLESS STEEL

- > Marine Grade 316 Steel
- > Mirror like finish
- > Extremely durable with very high corrosion resistance
- > Passivated to extensively prolong resistance to corrosion and brown stains caused by oxidation in marine environments
- > Interior & exterior use

### MACHINED BRASS

- > Solid CZ121 Brass
- > Standard machined finish
- > Corrosion resistance rated fair to excellent
- > Please note a natural green/brown patination layer will form after long term exposure to the elements, the extent of this discolouration will be dependant on its location.
- > Interior & exterior use

### FLAMED SOLID BRONZE

- > Solid Bronze
- > Hand finished Flamed Bronze unique to LightGraphix
- > Extremely durable with very high corrosion resistance.
- > Please note a natural dark patination layer will form after long term exposure to the elements, the extent of this discolouration will be dependant on its location.
- > Interior & exterior use

### PAINT FINISH

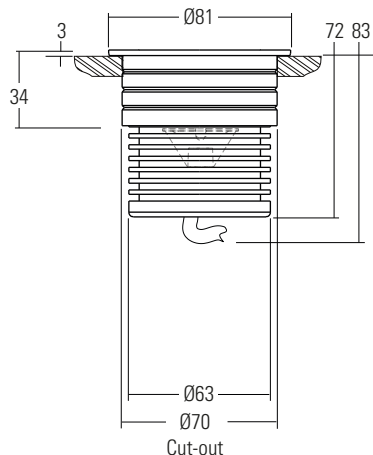
- > Matt Black, Matt White, and other RAL colours available
- > Not recommended for footlights in high traffic areas
- > Interior & exterior use

**DIMENSIONS AND FIXING ACCESSORIES**

*Dimensions in mm*

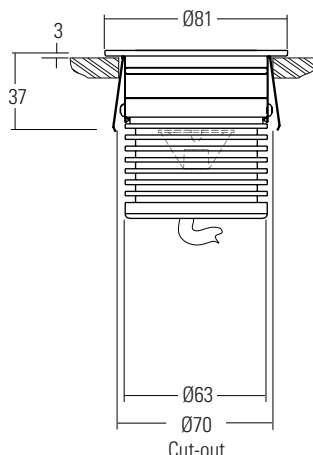
**/484S First Fix Sleeve**

The fitting is supplied as standard with a fixing sleeve; this is bonded into the mounting surface first. The LD151 is secured into the sleeve by 2 'O' rings on the body. When pushed into the sleeve it creates a watertight seal.



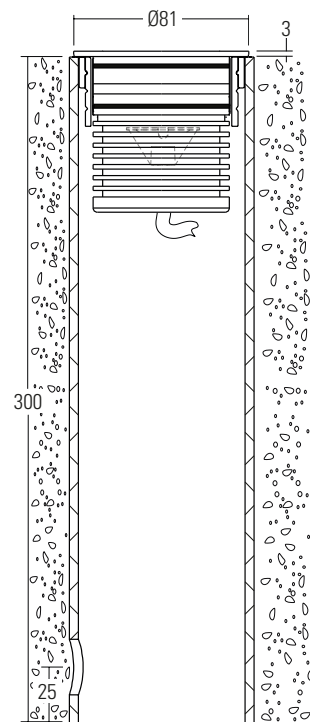
**/SC Spring clip fixing**

Suitable for use in surfaces with a thickness of 1mm – 25mm. Spring clips can provide a simple, single fix mounting method. We recommend that spring clips are only used in interior applications.



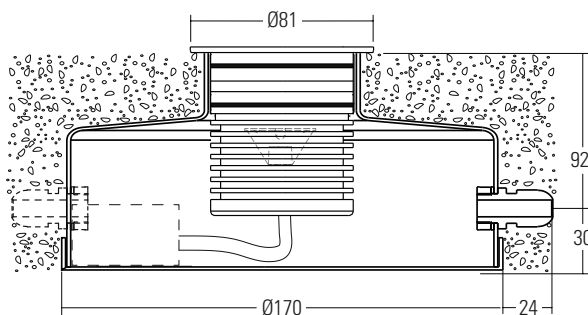
**/484GT Ground tube**

The in-ground tube has been designed for applications here a recessed uplight is required in soil or gravel surfaces. The tube can be buried with the necessary wiring, and then the fitting installed after the landscaping work has been completed. It is supplied with the fixing sleeve bonded into the tube and can be cut down on site.



**/484N or /484N-2 Concrete housing**

Must be used when specifying the 700mA fitting. The aluminium housing is used as a heat sink which keeps the LED fitting cool through the thermal transfer of the heat within the housing to the surrounding concrete. The housings are big enough for IP rated connections to be made inside the housing and a second gland is available for cabling onto the next luminaire.

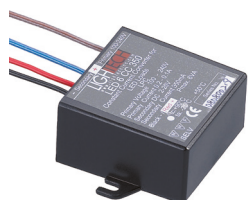


**/484N**  
Concrete housing with 1x PG9 IP67 gland



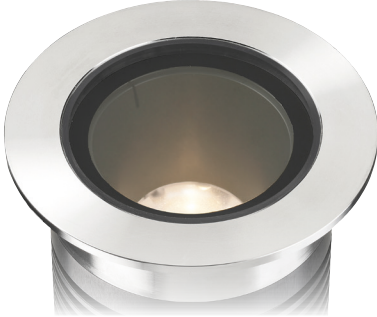
**/484N-2**  
Concrete housing with 2x PG9 IP67 gland

**/ID Optional integral non dimming driver**  
(single colour only at 350mA or 500mA)



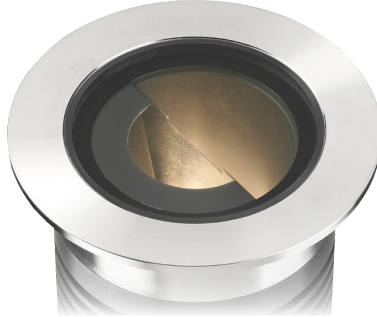
## GLARE SHIELD OPTIONS

LD151 comes with a choice of glare control options. Please refer to our photometric files for lumen data. These are available to download from the website.



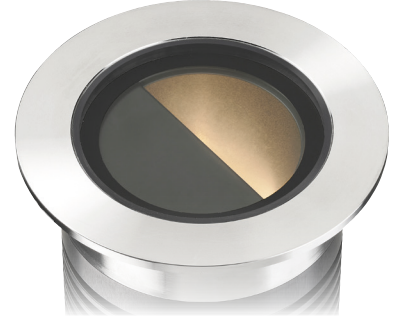
### **/NGS** No glare shield

No glare shield. Deep recessed optic and matt black anodised optic holder aids in glare reduction.



### **/GS** Glare shield

Standard glare shield, which provides an excellent balance between glare control and light output. This accessory works well in most applications.



### **/GSHM** Half moon glare shield

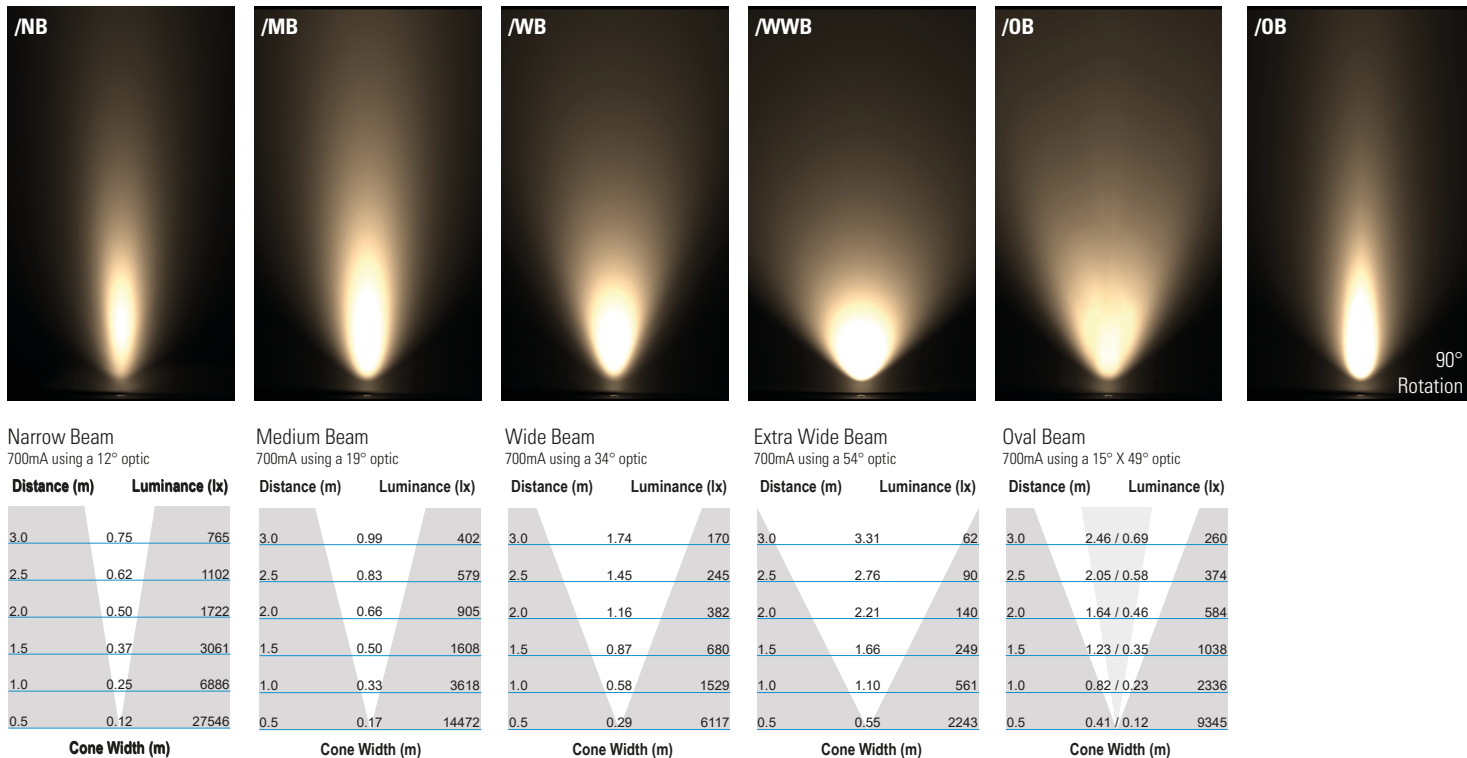
Half-moon glare shield for applications that require very low glare. Lumen output typically reduced by 60%.



CONE DIAGRAMS

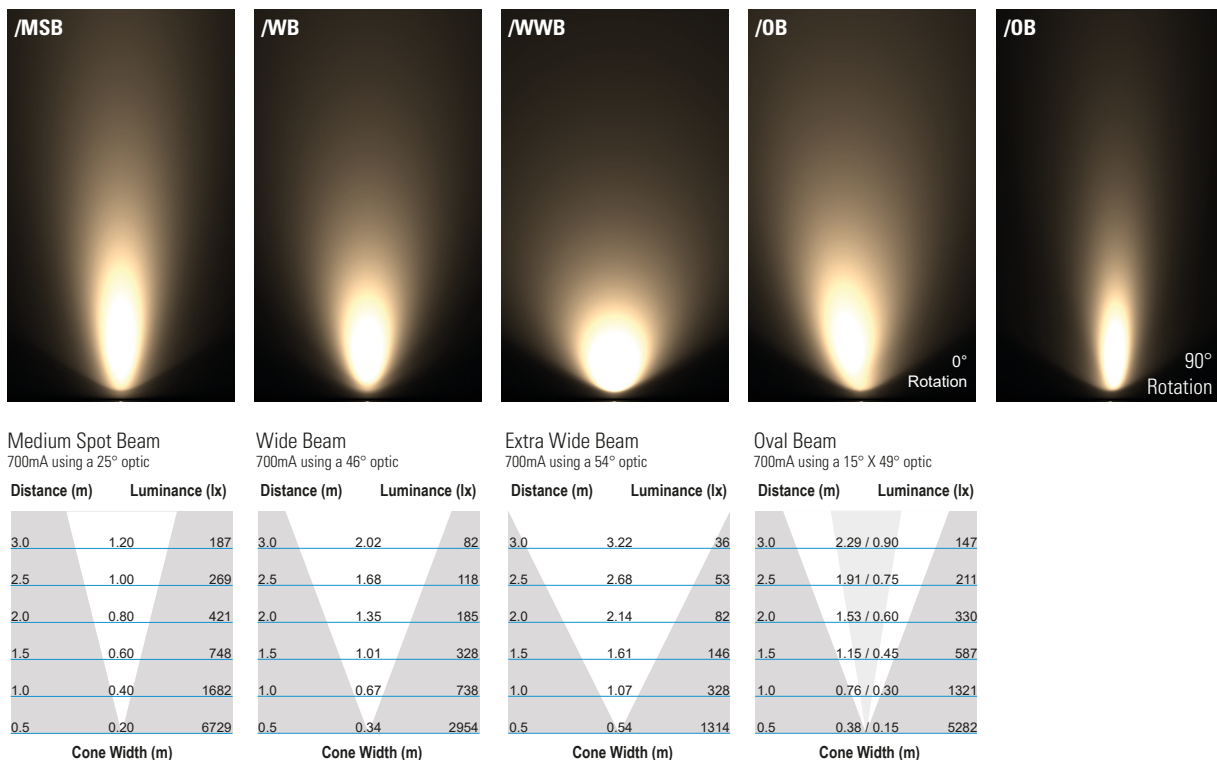
E3 LED Engine

Cone diagrams below are based on a 3000K E3 LED engine run at maximum output 700mA, 10W. Images below represents beam outputs when wall washing a 3m wall, spaced 125mm away from the lit surface. Photometric files (LDT) are included in the design pack which can be downloaded from the LD151 product page on the website.



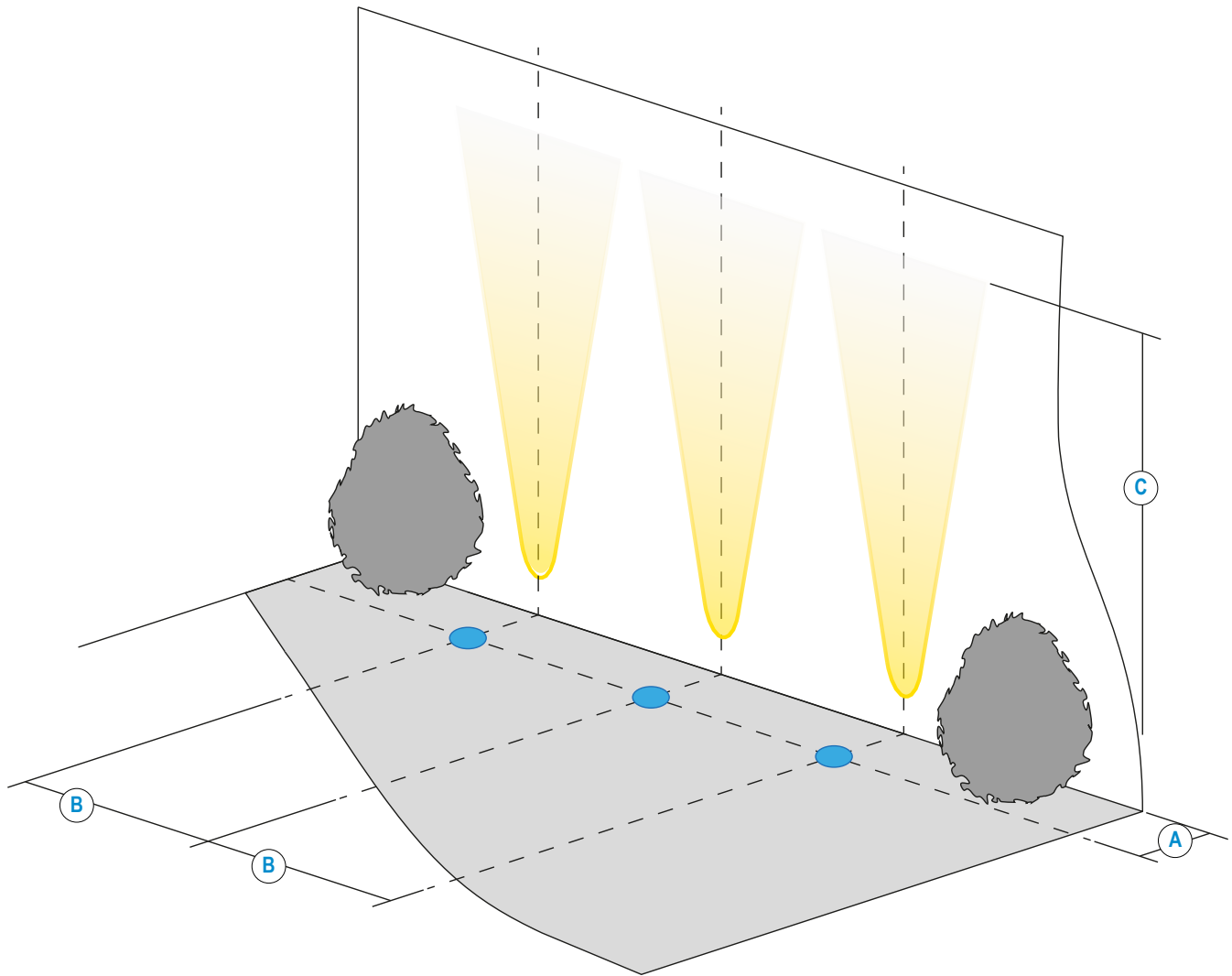
F1 LED Engine

Cone diagrams below are based on a 3000K F1 LED engine run at maximum output 700mA, 10W. Images below represents beam outputs when wall washing a 3m wall, spaced 125mm away from the lit surface. Photometric files (LDT) are included in the design pack which can be downloaded from the LD151 product page on the website.



## INSTALLATION GUIDE

Below is a luminaire positioning guide for white LEDs. Every project and lighting scenario will be different; the table below is to be used as a starting point for any wall wash design. Please use our photometric files to further test the desired effect for your application. Files are available on our LD151 product page on our website.



LD151-E3	/NB	/MB	/WB	/WWB	/OB
<b>A</b> Distance from the centre of the fitting to the lit surface	125mm				
<b>B</b> Spacing for an even wash	250mm*	350mm	400mm	500mm	500mm
<b>C</b> 500mA Lit distance	6m	4.5m	2m	2m	4m
<b>C</b> 700mA Lit distance	9m	5.5m	4m	3m	5m

LD151-F1	/MSB	/WB	/WWB	/OB
<b>A</b> Distance from the centre of the fitting to the lit surface	125mm			
<b>B</b> Spacing for an even wash	350mm	400mm	500mm	500mm
<b>C</b> 500mA Lit distance	2.5m	2m	1.5m	3m
<b>C</b> 700mA Lit distance	5m	4m	2m	4m

\*Wall washing using narrow beam optics should only be used if the designer requires long distance lighting up the lit surface.

ORDER CODES & OPTIONS

Example: LD151-E3-700 / LW30 / NB / NGS / Stainless Steel / 484N

Light Engine & Drive Current / LED Colour / Beam Angle / Glare shield / Finish / Fixing Accessories

WHITE LED ENGINES

**E3**

5W LED at 350mA	LD151-E3-350	Extra Warm White (2700K)	/LW27	12° Narrow spot	/NB
7W LED at 500mA	LD151-E3-500	Warm White (3000K)	/LW30	19° Medium	/MB
10W LED at 700mA	LD151-E3-700	White (4000K) - on request	/LW40	34° Wide	/WB
		Cool White (5000K)	/LW50	54° Extra wide	/WWB
				15° x 49° Oval	/OB

**F1**

3.5W LED at 350mA	LD151-F1-350	Super Warm White (2200K)	/LW22	25° Medium spot	/MSB
5W LED at 500mA	LD151-F1-500			46° Wide	/WB
7W LED at 700mA	LD151-F1-700			65° Extra wide	/WWB
				43° x 25° Oval	/OB

COLOUR & DYNAMIC LED ENGINES

**CLR**

3.5W LED at 350mA	LD151-CLR-500	Red	/LR	24° Medium	/MSB
		Green	/LG	38° Wide	/WB
		Blue	/LB	54° Extra wide	/WWB
		Amber	/LA	20° x 46° Oval	/OB

**RGBW**

3.5W LED at 350mA	LD151-RGBW-350	38° Colour mix lens			
5W LED at 500mA	LD151-RGBW-500				

**TW**

3.5W LED at 350mA	LD151-TW-350	Tunable White 2700K & 4000K (standard option)	/LW27 + LW40	24° Medium	/MSB
		Tunable White 2700K & 5000K	/LW27 + LW50	38° Wide	/WB
		Custom	/LW** + L**	54° Extra wide	/WWB
				20° x 46° Oval	/OB

**Drivers**  
Use with 350mA, 500mA & 700mA constant current LED drivers  
We have a range of dimmable LED drivers DMX and DALI compatible. Please see the downloads section on our website.