

LD18



Tilted Exterior LED Floor and Wall Washer

Data sheet - Page 1



LD18 is ideal for projects where a more industrial look with visible fixings is required. It features the latest in LED technology and has a very shallow recess depth. The LED and optics are tilted at 17° to focus the light on the lit surface, and reduce light spill.

Key Features

- LED and lens assembly tilted at 17° within either a black anodised aluminium or a polished stainless steel body.
- Tilted beam angle makes it an ideal solution for floor and wall washing
- Can be mounted as an uplight or wall light
- Integral anti wicking barrier increases protection against moisture ingress due to incorrect IP rated cable connections
- Not designed for permanent submersion, please use our LD242A, LD41, and LD60.
- Available with Switch, 0-10V, DMX, Dali or Mains dimmable drivers

Specification

Applications



Beam Angles

12°, 31°, 48°, 36° x 12°

LED type

1 x Cree XPG2

Colour temperature

2700K** / 3000K | 5000K

Drive Current (mA)	350	500	700	350	500	700
LED power* (W)	1.2W	1.7W	2.4W	1.2W	1.7W	2.4W
CRI (typical)	93	93	93	75	75	75
Forward voltage (V) ₁₀₀	3.0V	3.2V	3.4V	3.0V	3.2V	3.4V
Delivered lumens** (L ₁₀₀)	90	123	164	109	149	200
Lumens per circuit watt	75	72	68	91	88	83

LED lifetime (to 70% lumen maintenance) 50,000hrs at a max ambient temperature of 35°C (if specifying fitting in ambient temperatures of up to 45°C run at 500mA max, LD18-500)

Materials

Black anodised aluminium body, Machine finish
316 stainless steel bezel (other options available)

Glass

5mm thick borosilicate

Wiring

Comes pre-wired with 2 core 100mm lead, can be specified with up to 10m at extra cost

IP rating

IP68 - Not for permanent submersion
(for permanent submersion applications use LD242A)

*LED wattage includes losses associated with using an 85% efficient driver

** 2700K lumen output is 12% lower than the 3000K figure listed.

4000K lumen output is 14% higher than the 3000K figure listed (80 CRI)



LD18

Tilted Exterior LED Floor and Wall Washer

Data sheet - Page 2



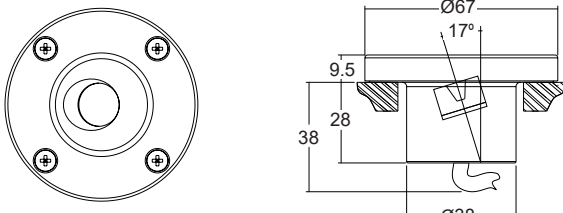
Body Options

LD18 can be alternatively specified with a stainless steel 316 body. The stainless steel body offers increased protection for very harsh marine environments.



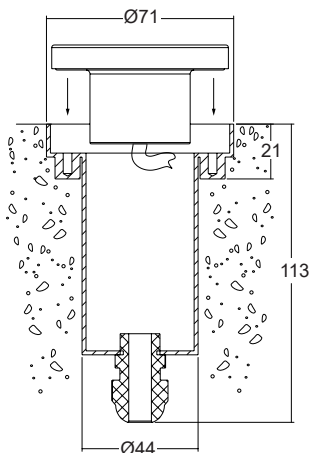
Dimensions and Fixing Options

Fixing is by removing the bezel and then 4 screws through the body



(Dimensions in mm)

/474 - Concrete fixing housing



Order Codes and Options

Product code	LED colour	Lens angle	Finish	Fixing
LD18 - 350 - 500 - 700				

Example: LD18-700 / LW30 / MB / Stainless steel / 474

Product codes with output options

Product code	LED colour	LED power	LED current	LED colour temperature	LED colour options	Suffix
LD18		1.2W	350mA	2200K	Super Warm White (2200K)	/LW22
		1.7W	500mA	2700K	Extra Warm White (2700K)	/LW27
		2.4W	700mA	3000K	Warm White (3000K)	/LW30
				4000K	White (4000k) - on request	/LW40
				5000K	Cool White (5000K)	/LW50
					Blue	/LB
					Green	/LG
					Red	/LR
					Amber	/LA

Product code	LED colour	LED power	LED current	LED colour temperature	LED colour options	Suffix
LD18-SSB		1.2W	350mA	2200K	Super Warm White (2200K)	LD18-SSB-350
		1.7W	500mA	2700K	Extra Warm White (2700K)	LD18-SSB-500

LED colour options	Suffix
Super Warm White (2200K)	/LW22
Extra Warm White (2700K)	/LW27
Warm White (3000K)	/LW30
White (4000k) - on request	/LW40
Cool White (5000K)	/LW50
Blue	/LB
Green	/LG
Red	/LR
Amber	/LA

*Other LED colour temperatures are available. Please speak to a member of our sales team.

Beam / lens angle options

12° narrow spot	/NB
31° medium	/MB
48° wide	/WB
36° x 12° oval	/OB

Bezel finish options

Stainless steel 316 (standard)
 Paint finish white / black / RAL
 Polished and passivated stainless steel (for marine environments)

Fixing options

Concrete fixing housing	/474
-------------------------	------

Use with 350mA, 500mA or 700mA constant current LED drivers

We have a wide range of dimmable LED drivers, 0-10V, DMX, DALI and Mains dimmable. Please see the downloads section on our website:

To run 1-14 LD18-350 in series use a TXDEL350D (0-10V dimmable)

To run 1-14 LD18-500 in series use a TXDEL500D (0-10V dimmable)

To run 1-13 LD18-700 in series use a TXDEL700D (0-10V dimmable)