

LD43
LOW GLARE MINIATURE RECESSED
INTERIOR/EXTERIOR LED UPLIGHT



CB | **RLE** | **R+R**



The LD43 fitting is a miniature recessed uplight with a very minimal depth and small cable, ideal for interior applications, including bathrooms. Featuring a flush glass and walkover bezel for in-ground use, the LED and optics are recessed 10mm into the body for low glare. Various glare shield and Tilt lens options are also available for glare reduction and to create lit effects to suit individual applications. This includes aperture reductions of 45% or 70%, with or without an integral 20° Tilt lens, which focuses the light onto the lit surface for a concentrated lit effect. For a miniature fitting, LD43 produces an excellent throw of light when more output is required. If used with our LD42 wall light, a uniform floor and wall washing effect can be achieved.

Please note: For exterior in-ground applications please use the LD41, LD44, LD60, LD43DR, LD56 or LD56T. These have an integral anti-wicking barrier and thicker cable which is more suitable for exterior in-ground installations.

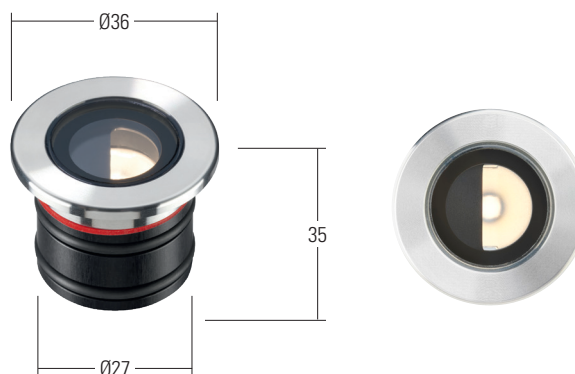
KEY FEATURES

- > High-power C1 engine with NICHIA LED delivering up to 134lm
- > Miniature fitting with very minimal body depth and bezel diameter
- > Uplight version of our LD42 wall light with a flush glass in-ground walk over bezel
- > Available with a 45% or 70% glare shield accessory
- > Optional 20° Tilt lens angles the light onto the lit surface for a more concentrated effect
- > Wide range of high-quality machined metal and painted bezel finishes available, including: 316 Stainless Steel, Polished & Passivated 316 Stainless Steel, Machined Brass, Flamed Solid Bronze, White (RAL 9016), Black (RAL 9005), Classic Bronze (YM262E), Gunmetal Grey (RAL 7021) and any RAL
- > High efficiency optics produce excellent beam spread and shape
- > LED recessed 10mm within the body for reduced glare
- > Hidden fixing options include spring clips or /480 first fix sleeve with O-rings
- > Switched, 0-10V, Casambi, DMX, DALI or Mains dimmable drivers available

DIMENSIONS



Dimensions in mm

For fixing and accessory dimensions please go to page 3.



Design: GIA Equation | Project: Link Bridges - Deloitte | Product: LD43 with GS44-45

WHITE LED ENGINE SPECIFICATION

Engine	 C1	
Beam angles	12°, 31°, 48°, 12° x 36°	
LED manufacturer	NICHIA	
Colour temperature	2200K / 2700K / 3000K / 4000K / 5000K	
Current [Rated Output]	350mA [1.2W]	500mA [1.7W]
Typical LED Circuit wattage	1.1	1.6
Delivered lumens (L ₁₀₀)*	103	134
Delivered lm/Circuit W**	95	83
Typical LED Source wattage	1W	1.5W
Source LED Lm	133	187
Source lm/W	136	129
Forward voltage (V ₁₀₀)	2.8V	2.9V
CRI (R9)	93	
Colour consistency	2 SCDM	
Peak intensity	1,057 cd	
LOR	0.72	
TM30	RF93 RG100	
UGR rating ('downlight' mounted)****	6.7	7.4
BUG rating ('uplight' mounted)	B0-U3-G0	
LED lifetime	L90B5 at 90,000hrs	
Applications		

This data is based on LD43-C1-500-LW30-NB

*Lumen output data applies to all colour temperatures

**LED wattage includes losses associated with using a 90% efficient driver

***UGR values based on room parameters of 4H 8H, C70 W50 F20

MECHANICAL

Ambient temperature	-20° to 45° (350mA) or -20° to 35° (500mA)
Glass	3.3mm thick borosilicate glass with black ceramic screen print
Materials	Hard anodised aluminium body with machined 316 stainless steel bezel
IP rating	IP66
Wiring	In-series constant current wiring (pre-wired with 2 x single core cable at a length of 150mm*)

*Extendable cables available up to 2M. For longer cables see the LD44X

ENVIRONMENTAL

TM65	Available on request
TM66	2.7
Repair + Refurbish	 <p>This product is included in our Repair and Refurbish scheme. This offers customers the ability to send back products to us for repair or refurbishment to extend their life without having to buy new fittings.</p>
RLE (REPLACEABLE LIGHT ENGINE)	 <p>Visit page 5 for replacement parts</p>

AVAILABLE FINISHES

Please refer to our finishes guide for full details



316 STAINLESS STEEL

- > Marine grade 316 Steel
- > Standard machined finish
- > Extremely durable
- > Passivation recommended for marine environments to prevent corrosion and build up of brown stains caused by oxidation
- > Interior & exterior use



POLISHED & PASSIVATED 316 STAINLESS STEEL

- > Marine Grade 316 Steel
- > Mirror like finish
- > Extremely durable
- > Passivated to extensively prolong resistance to corrosion and brown stains caused by oxidation in marine environments
- > Interior & exterior use



MACHINED BRASS

- > Solid CZ121 Brass
- > Standard machined finish
- > Corrosion resistance rated fair to excellent
- > Please note a natural green/brown patination layer will form after long term exposure to the elements, the extent of this discolouration will be dependant on its location.
- > Interior & exterior use



FLAMED SOLID BRONZE

- > Solid Bronze
- > Hand finished Flamed Bronze unique to LightGraphix
- > Extremely durable with very high corrosion resistance
- > Please note a natural dark patination layer will form after long term exposure to the elements, the extent of this discolouration will be dependant on its location.
- > Interior & exterior use



PAINT FINISH - POWDER COAT

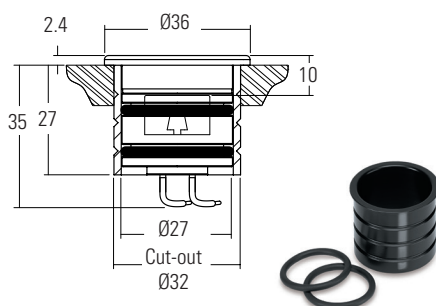
- > White (RAL 9016), Black (RAL 9005), Classic Bronze (YM262E), Gunmetal Grey (RAL 7021) Textured Mars Bronze (SX350F), Textured Fir Green (RAL 6009), and other RAL colours available
- > Smooth matt texture unless stated otherwise
- > Not recommended for footlights in high traffic areas
- > Interior & exterior use

DIMENSIONS AND FIXING ACCESSORIES

Dimensions in mm

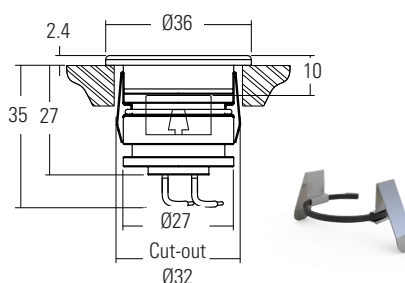
/480 O-rings and sleeve

Robust, watertight method of fixing for in-ground applications.



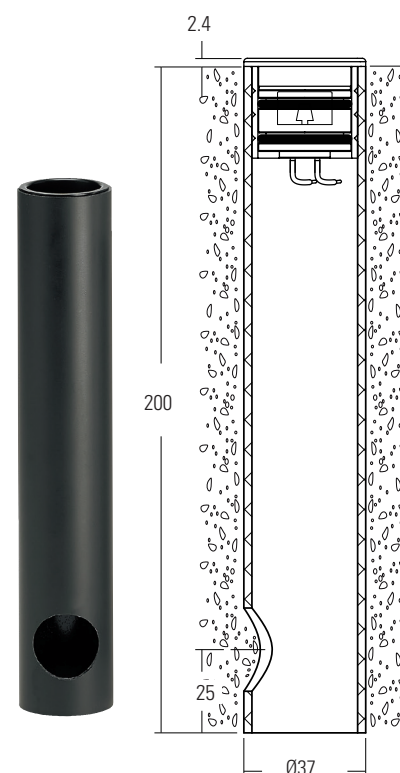
/SC Spring clip fixing

Provide a simple single-fix mounting method.



/480GT Ground tube

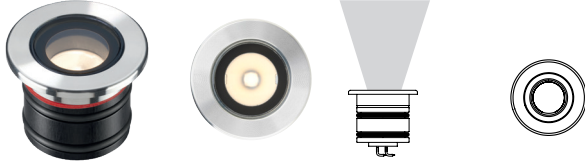
The in-ground tube has been designed for applications where a recessed uplighter is required in soil or gravel terrain. The tube can be buried with the necessary wiring, and then the fitting installed after the landscaping work has been completed. It is supplied with the fixing sleeve bonded into the tube, and can be cut down on site.



GLARE CONTROL AND LIGHT OUTPUT OPTIONS

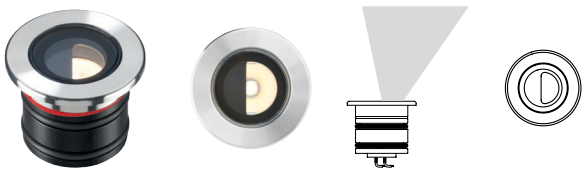
LD43

Circular aperture with lens and LED assembly recessed into the body by 10mm.



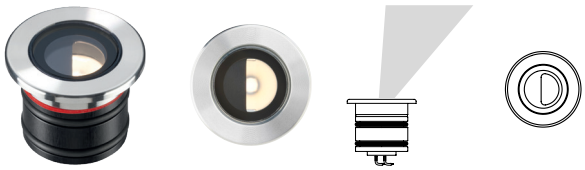
LD43 with GS44-45

Addition of a half-moon glare shield in front of the lens to further reduce glare. Please note that the Oval beam cannot be used with GS44-45.



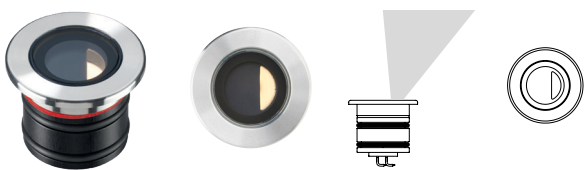
LD43 with Tilt lens and GS44-45

Features a half-moon glare shield, but with the addition of an integral 20° Tilt lens which angles the light towards the lit surface. Please note that the Oval beam cannot be used with Tilt lens and GS44-45.



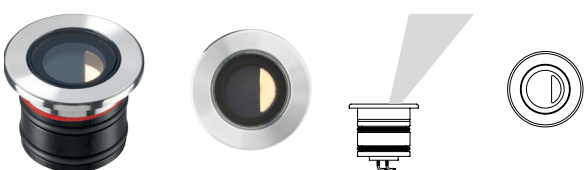
LD43 with GS44-70

Features a 70% glare shield for applications that require minimal output and glare. Please note that the Oval beam cannot be used with the GS44-70.



LD43 with Tilt lens and GS44-70

Features the GS44-70% glare shield, but with the addition of an integral 20° Tilt lens which angles the light towards the lit surface. Please note this option is only available in a Narrow beam.



Product: LD43 with GS44-45
Design: Lighting-Design-International Project: Harrods - Super Brands

RLE - REPLACEABLE LIGHT ENGINES



What is RLE

On the surface, RLE is LightGraphix's answer to the Circular economy question that is facing many industries at the moment. However for us, RLE is an ethos; a commitment that LightGraphix will factor in the principles of good circular design into all of its future product design. It allows us to offer luminaires that contain replaceable, energy-efficient light engines. This gives customers the ability to refurbish existing lighting installations rather than having to replace the entire luminaire. This will fall into two types of refurbishments: replaceable, and repairable.

RLE Engines

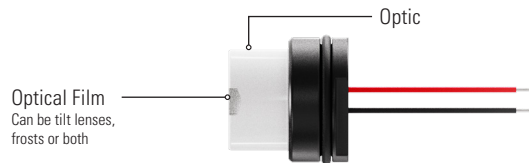
Repairs can be conducted on any site worldwide, or in our factory, with a small tool. Simply swap out the singular modular LED insert, and replace it with another, along with a new optic, which are both supplied by us. The warranty provided with the product varies based on who is performing RLE repairs. There are three types of RLE engine, categorised based on the size of the product. RLE1 is the smallest, with RLE3 being the largest.



Used in the following products:
LD42, LD42D, LD43 & LD43G

LD43 RLE REPLACEMENT PARTS

Please use the configurator below to specify your replacement engine and optic. If you are unsure of your original specifications, please check the label on your LightGraphix fitting, or get in touch with our sales team. Installation sheets will be supplied with the new components.



RLE Engine		LED Colour		Beam Angle		Accessories	
<input type="text" value="RLE 2 ENGINE"/>	<input type="text" value="RLE2/"/>	<input type="text" value="Super Warm White (2200K)"/>	<input type="text" value="/LW22"/>	<input type="text" value="Narrow beam 16mm optic"/>	<input type="text" value="RLE/OP-16/NB"/>	<input type="text" value="Optical Filter / Tilt Lens 1"/>	<input type="text" value="RLE/OF/TL1"/>
		<input type="text" value="Extra Warm White (2700K)"/>	<input type="text" value="/LW27"/>	<input type="text" value="Medium beam 16mm optic"/>	<input type="text" value="RLE/OP-16/MB"/>		
		<input type="text" value="Warm White (3000K)"/>	<input type="text" value="/LW30"/>	<input type="text" value="Wide beam 16mm optic"/>	<input type="text" value="RLE/OP-16/WB"/>		
		<input type="text" value="White (4000K) - on request"/>	<input type="text" value="/LW40"/>	<input type="text" value="Oval beam 16mm optic"/>	<input type="text" value="RLE/OP-16/OB"/>		
		<input type="text" value="Cool White (5000K)"/>	<input type="text" value="/LW50"/>				

ORDER CODES & OPTIONS - LD43

Example: LD43 - C1-500 / LW30 / OB / L / NGS / 316 STAINLESS STEEL / SC

Light engine & drive current / LED colour / Beam angle / Optical option / Glare shield / Finish / Fixing

LD43- / / / / / / /

C1

1.2W LED at 350mA	LD43-C1-350	Super Warm White (2200K)	/LW22	12° Narrow	/NB	20° Tilt	A	NGS	316 Stainless Steel	
1.7W LED at 500mA	LD43-C1-500	Extra Warm White (2700K)	/LW27	31° Medium	/MB	No tilt	L	GS44-45 (not applicable with Oval beam)	Polished & Passivated 316 Stainless Steel (for marine environments)	/480
		Warm White (3000K)	/LW30	48° Wide	/WB			GS44-70 (Not applicable with Oval beam. When using Tilt lens, only Narrow beam can be specified)	Machined Brass	/SC
		White (4000K) - on request	/LW40	12° x 36° Oval	/OB				Flamed Solid Bronze	
		Cool White (5000K)	/LW50						POWDER COAT White (RAL 9016)	
		Red	/LR						POWDER COAT Black (RAL 9005)	
		Green	/LG						POWDER COAT Classic Bronze (YM262E)	
		Blue	/LB						POWDER COAT Gunmetal Grey (RAL 7021)	
		Amber	/LA						POWDER COAT Textured Fir Green (RAL 6009)	
									POWDER COAT Textured Mars Bronze (SX350F)	
									POWDER COAT RAL	

Drivers
Use with 350mA and 500mA constant current LED drivers We have a range of dimmable LED drivers including DMX and DALI compatible. Please see the downloads section on our website.