

# LD47 & LD48



Low Glare Tilted Interior/Exterior Wall or Step lights

Data sheet - Page 1



Design: Light IQ Project: Private Residence Product: LD47

Available in round or square the LD47/48 will fit into most architectural styles. The lens assembly is set back and inclined by 20° for a floor wash illumination and minimal glare. Manufactured with a machined stainless steel 316 bezel and black anodized body these can be used for indoor and outdoor use.

## Key Features

- LED and lens assembly recessed and tilted by 20° within a black anodised body for reduced glare
- High quality machined bezel and body
- Square and round versions available
- Glass fixed with hidden gasket, so no unsightly glue line
- No visible fixings. Options include spring fixing clips or O-rings and a first fix sleeve
- Can be used for external and internal applications
- Integral anti-wicking barrier increases protection against moisture ingress due to incorrect IP rated cable connections
- Range of bezel finish options including stainless steel and paint finishes
- Available with Switch, 0-10V, DMX, Dali or Mains dimmable drivers

## Specification

Applications			
Beam Angles	12°, 31°, 48°, 12° x 36°		
LED type	1 x C1 Engine with NICHIA LED		
Colour temperature	2200K / 2700K / 3000K / 4000K / 5000K		
Drive Current (mA)	350	500	700
LED power* (W)	1.2W	1.7W	2.4W
CRI (typical)	93	93	93
Forward voltage (V) <sub>100</sub>	3.0V	3.2V	3.4V
Delivered lumens** (L <sub>100</sub> )	106	138	177
Lumens per circuit watt	88	81	74
LED lifetime	L90B5 at 90,000hrs		
Materials	Black anodised aluminium body, Machine finish 316 stainless steel bezel (other options available)		
Glass	5mm thick borosilicate		
Wiring	Comes pre-wired with 2 core 100mm lead, can be specified with up to 10m at extra cost		
IP rating	IP67		

\*LED wattage includes losses associated with using an 85% efficient driver

\*\* Lumen output data applies to all colour temperatures.

LD47

LD48

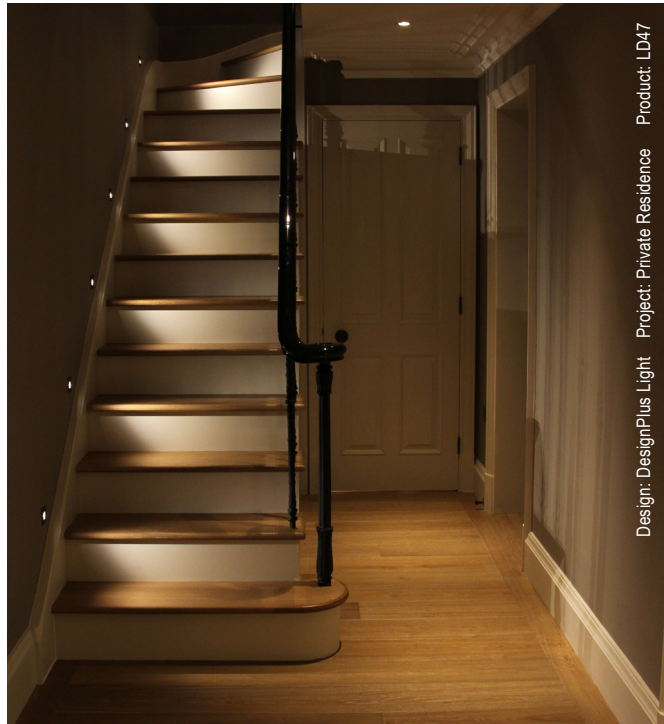


# LD47 & LD48



Low Glare Tilted Interior/Exterior Wall or Step lights

Data sheet - Page 2



## Photometrics

Photometric files are included in the design pack which can be downloaded from the LD45 & LD46 product page on the website.

## Order Codes and Options

Product code	LED colour	Lens angle	Finish	Fixing
LD47/48-C1- 350 - 500 - 700				

Example: LD47-C1-700 / LW30 / MB / Stainless steel / 477

## Product codes with output options

1.2W LED at 350mA	LD47-C1-350, LD48-C1-350
1.7W LED at 500mA	LD47-C1-500, LD48-C1-500
2.4W LED at 700mA	LD47-C1-700, LD48-C1-700

## LED colour options

LED colour options	Suffix
Super Warm White (2200K)	/LW22
Extra Warm White (2700K)	/LW27
Warm white (3000K)	/LW30
White (4000K) - on request	/LW40
Cool White (5000K)	/LW50
Blue	/LB
Green	/LG
Red	/LR
Amber	/LA

## Beam / lens angle options

12° narrow spot	/NB
31° medium	/MB
48° wide	/WB
12° x 36° oval beam	/OB

## Bezel finish options

Stainless steel 316  
Paint finish white / black / RAL  
Polished and passivated stainless steel (for marine environments)

## Fixing options

Spring clips	/SC
First fix sleeve and O-rings	/477

## Use with 350mA, 500mA or 700mA constant current LED drivers

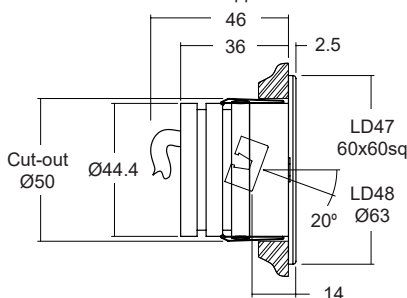
We have a wide range of dimmable LED drivers, 0-10V, DMX, DALI and Mains dimmable. Please see the downloads section on our website:

- To run 1-14 LD47/LD48-C1-350 in series use a TXDEL350D (0-10V dimmable)
- To run 1-14 LD47/LD48-C1-500 in series use a TXDEL500D (0-10V dimmable)
- To run 1-13 LD47/LD48-C1-700 in series use a TXDEL700D (0-10V dimmable)

## Dimensions and Fixing Options

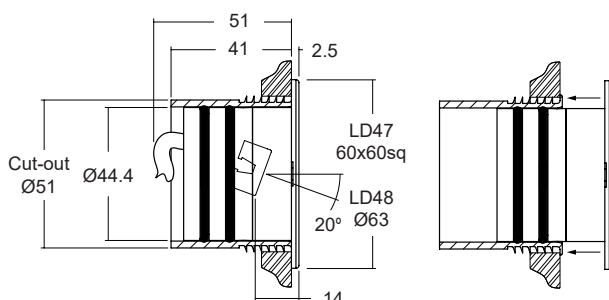
### /SC - Spring clip fixing

Useful for most wall mounted applications



### /477 - 'O' rings and sleeve

A more robust and water tight method of fixing, for wet areas



(Dimensions in mm)