

LD56T
TILTED INTERIOR/EXTERIOR
IN-GROUND RECESSED LED UPLIGHT



The LD56T packs a lot of features into a very compact product with a recess depth of just 42mm. The LED is angled at 6° to focus the light onto and up a wall or column with fantastic beam shape and spread. Deep recessed optics reduce glare with an optional glare shield available to further improve visual comfort. Rated IP68, the LD56T is incredibly versatile and has been used in projects all over the world in various applications, including as a downlight. It is a very tough, high quality fitting, with a minimal aesthetic, available in a wide range of high-grade machined metal and paint finishes.

KEY FEATURES

- > High-power C1 engine with NICHIA LED, delivering up to 177 lumens and CRI of 93
- > Optics set at 6° tilt to focus the beam onto the lit surface from a distance with glare angled away from view
- > Compact fitting producing excellent diffused beam shape from a range of optics
- > Can be used as a uplight or downlight
- > Low glare with optics recessed into the body by 17mm
- > Glare shield available to further reduce glare without affecting the wash of light
- > High quality machined bezel available in: 316 Stainless Steel, 316 Polished & Passivated Stainless Steel, Brass, Flamed Solid Bronze and powder coat White (RAL 9016), Black (RAL 9005), Classic Bronze (YM262E), any RAL
- > Fixing options include spring clips, O-rings, first fix sleeve and ground tube
- > Integral anti wicking barrier increases protection against moisture ingress due to incorrect IP rated cable connections
- > Not designed for permanent submersion, please use our LD242A
- > Switched, 0-10V, Casambi, DMX, Dali or Mains dimmable drivers available

DIMENSIONS



Dimensions in mm

For fixing dimensions please go to page 4.



Design: L+DG Thomas Caravanis Lighting Project: Private Residence Product: LD56

WHITE LED ENGINE SPECIFICATION

Engine	 C1		
Beam angles	12°, 31°, 48°, 12° x 36°		
LED manufacturer	NICHIA		
Colour temperature	2200K / 2700K / 3000K / 4000K / 5000K		
Current	350mA	500mA	700mA
LED power (Max)**	1.2W	1.7W	2.4W
Delivered lumens (L ₁₀₀)*	106	138	177
Lumens per circuit watt	88	81	74
Forward voltage (V ₁₀₀)	3V	3.2V	3.4V
CRI (Typ)	93		
Colour consistency	2 SCDM		
Peak intensity	1075 cd		
LED Lumens	206		
LOR	0.86		
TM30	RF93	RG99	
UGR***	15.4		
LED lifetime	L90B5 at 90,000hrs		
Applications			

This data is based on LD56T-C1-700-LW30-NB

* Lumen output data applies to all colour temperatures

**Indicates the nominal power for the LED run at that particular current and includes losses associated with using an 85% efficient driver

***UGR values based on room parameter of 4H 8H, C70 W50 F20

MECHANICAL

Ambient temperature	-20° to 45° (350mA-500mA) or -20° to 35° (700mA)
Glass	5mm thick borosilicate
Materials	Stainless steel bezel, black anodised aluminium body
Weight of product	0.031kg
IP rating	IP68
Static load	1000kg
IK rating	IK07
Wiring	In-series constant current wiring (pre-wired with 2 core cable at a length of 250mm)

AVAILABLE FINISHES

Please refer to our finishes guide for full details



316 STAINLESS STEEL

- > Marine grade 316 Steel
- > Standard machined finish
- > Extremely durable with very high corrosion resistance
- > Passivation is recommended to further strengthen the existing high corrosion resistance, if the fitting is to be continuously subjected to salt water
- > Interior & exterior use



POLISHED & PASSIVATED 316 STAINLESS STEEL

- > Marine Grade 316 Steel
- > Pristine mirror like finish
- > Extremely durable with very high corrosion resistance
- > Passivated to extensively prolong resistance to corrosion and brown stains caused by oxidation in marine environments
- > Interior & exterior use



MACHINED BRASS

- > Solid CZ121 Brass
- > Standard machined finish
- > Corrosion resistance rated fair to excellent
- > Please note a natural green/brown patination layer will form after long term exposure to the elements, the extent of this discolouration will be dependant on its location.
- > Interior & exterior use



FLAMED SOLID BRONZE

- > Solid Bronze
- > Hand finished Flamed Bronze unique to LightGraphix
- > Extremely durable with very high corrosion resistance
- > Please note a natural dark patination layer will form after long term exposure to the elements, the extent of this discolouration will be dependant on its location.
- > Interior & exterior use



PAINT FINISH - POWDER COAT

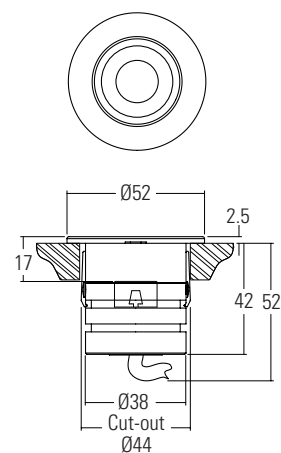
- > White (RAL 9016), Black (RAL 9005), Classic Bronze (YM262E), Gunmetal Grey (RAL 7021) and other RAL colours available
- > Smooth matt texture unless stated otherwise
- > Not recommended for footlights in high traffic areas
- > Interior & exterior use

DIMENSIONS AND FIXING ACCESSORIES

Dimensions in mm

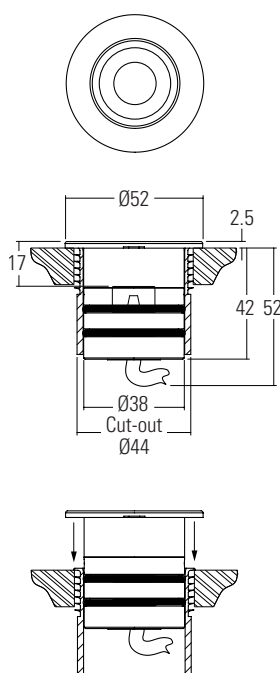
/SC Spring clip fixing

Useful for plinth or downlight applications



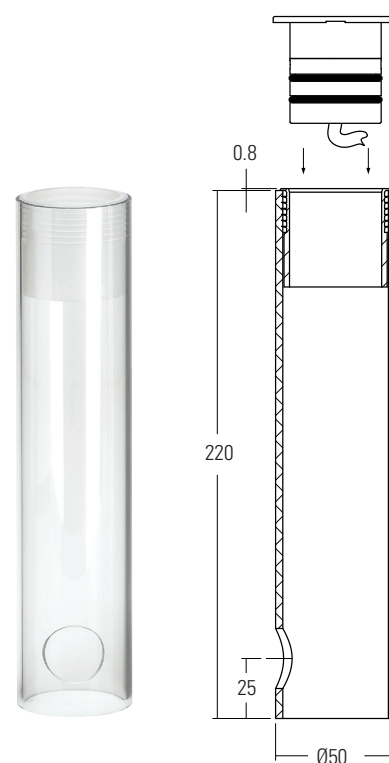
/476 O-rings and sleeve

A more robust and water tight method of fixing for in-ground applications



/476GT Ground tube

The in-ground tube has been designed for applications where a recessed uplight is required in soil or gravel terrains. The tube can be buried with the necessary wiring and then the fitting installed after the landscaping work has been completed. It is supplied with the fixing sleeve bonded into the tube, and can be cut down on site.



GLARE CONTROL OPTIONS

/GS56T Glare shield (not available with oval beam)

An optional glare shield is available to further reduce glare from the LED and optic. This is useful in narrow details where people may stand directly over the fitting. The glare shield does not reduce the light on the lit surface (wall) but will cut out some light onto the ceiling.



Design: Light IQ Project: Private Residence Product: LD256

ORDER CODES & OPTIONS

Example: LD56T-C1-700 / LW30 / MB / 316 Stainless steel / GS56T / 476

Light Engine & Drive Current

LED Colour

Beam Angle

Finish

Fixing & Accessories

LD56T - / / / /

WHITE LED ENGINES

 C1

1.2W LED at 350mA	LD56T-C1-350
1.7W LED at 500mA	LD56T-C1-500
2.4W LED at 700mA	LD56T-C1-700

Super Warm White (2200K)	/LW22
Extra Warm White (2700K)	/LW27
Warm White (3000K)	/LW30
White (4000K) - on request	/LW40
Cool White (5000K)	/LW50
Red	/LR
Green	/LG
Blue	/LB
Amber	/LA

12° Narrow spot	/NB
31° Medium	/MB
48° Wide	/WB
12 x 36° Oval	/OB

	316 Stainless Steel
	Polished & Passivated 316 Stainless Steel (for marine environments)
	Machined Brass
	Flamed Solid Bronze
	Paint Finish - Black (RAL 9005)
	Paint Finish - Classic Bronze (YM262E)
	Paint Finish - Gunmetal Grey (RAL 7021)
	Paint Finish - White (RAL 9016)
	Paint Finish - RAL

	/SC
	/476
	/476GT
	/GS56T

Drivers
Use with 350mA, 500mA & 700mA constant current LED drivers
We have a range of dimmable LED drivers including DMX and DALI compatible. Please see the downloads section on our website.